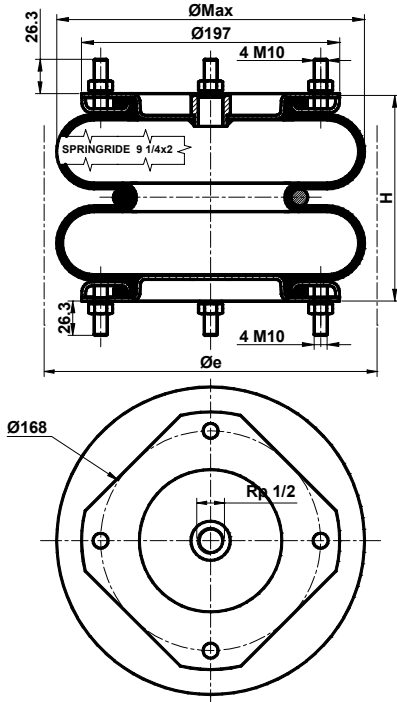


BELLOWS 9 1/4" x 2



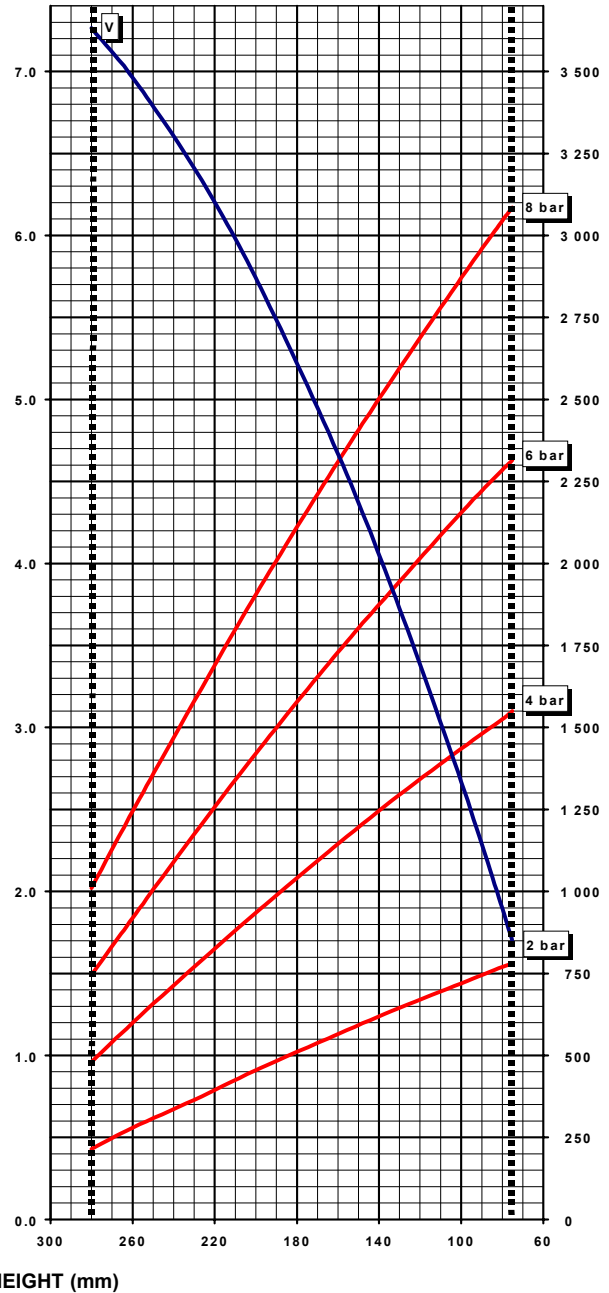
ASSEMBLED WITH 8 NUTS Hu10 AND 8 WASHERS GROWER WZ10.
FASTENING TORQUE 25 Nm

Heights (mm) (H)			Stroke (mm)
Maximum	Minimum	Design	
280	75	160	205
Diameters (mm)			Weight (kg)
Ø MAX	Overall		
255	270		5.5

Rubber Bellow	Features	Part Numbers
Standard	-Rubber Only	SP 254
-40 to 70°C	-Assembled Bellows	SP2703
Butyl	-Rubber Only	SP1300
-25 to 90°C	-Assembled Bellows	SP2825
Epichlore	-Rubber Only	SP2180
-20 to 115°C	-Assembled Bellows	SP2826

VOLUME V (dm³) at 6 bar

LOAD (daN)



- Indicative value of force required to reach minimum height at atmospheric pressure : 12 daN

- Maximum pressure : 8 bar

- The datas presented on this document are liable to evolution and don't constitute a commitment from DUNLOP AIRSPRINGS (see page 5-7).

BELLOWS 9 1/4" x 2

FOR USE AS A PNEUMATIC ACTUATOR

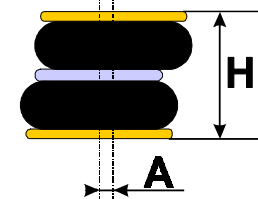
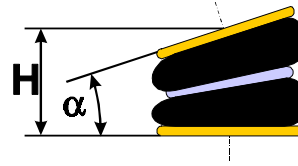
CHARACTERISTICS IN STATIC CONDITION				
HEIGHT (mm)	LOAD (daN)			
	Pressure 2 bar	Pressure 4 bar	Pressure 6 bar	Pressure 8 bar
75	780	1550	2315	3085
100	720	1435	2155	2870
130	645	1295	1945	2595
160	565	1145	1730	2310
200	455	935	1420	1905
240	340	715	1095	1470
280	215	480	745	1010

ANGULAR CAPABILITY

Maximum (α)	For H between	
	H mini (mm)	H maxi (mm)
10°	95	245
15°	100	235
20°	110	225
25°	130	215

OUT OF ALIGNMENT

Maximum (A)	For H between	
	H mini (mm)	H maxi (mm)
10	115	205
20	135	250
30	145	245
40	160	235



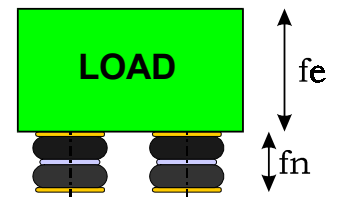
- Airsprings must not be pressurised unless they are restricted by an outside frame or by a suitable load.
- Strokes must be limited by the direct use of bump stops or external stops.
- When stacking airsprings, special cares must be taken to ensure the airsprings are guided and fixed.
- An Airspring is a single acting air actuator and must not be used below atmospheric pressure.
- Please check the over-pressure in case of quick compression.
- The datas presented on this document are liable to evolution and don't constitute a commitment from DUNLOP AIRSPRINGS (see page 5-7).

FOR USE AS AN ISOLATOR

DYNAMIC CHARACTERISTICS AT H= 220 mm *				
	Pressure 2 bar	Pressure 4 bar	Pressure 6 bar	Pressure 8 bar
LOAD (daN)	395	830	1260	
VOLUME (dm³)	5.86	6.03	6.20	
STIFFNESS (daN/cm)	56.8	104.4	150.4	
NATURAL FREQUENCY (Hz)	1.89	1.77	1.72	
ISOLATION RATE at 10 Hz	96.3%	96.8%	96.9%	

- Isolation rate is given by the formula :

$$I = 1 - \frac{1}{\left(\frac{f_e}{f_n}\right)^2 - 1}$$



fe = Exciting frequency (Hz)
fn = Airspring natural frequency (Hz)

* Recommended height for better isolation.