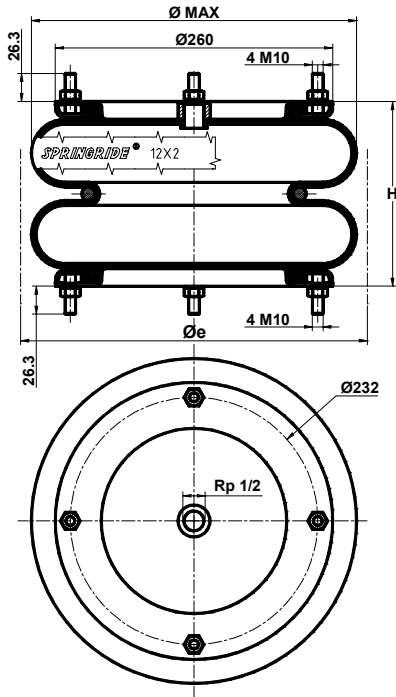


BELLOWS 12" x 2



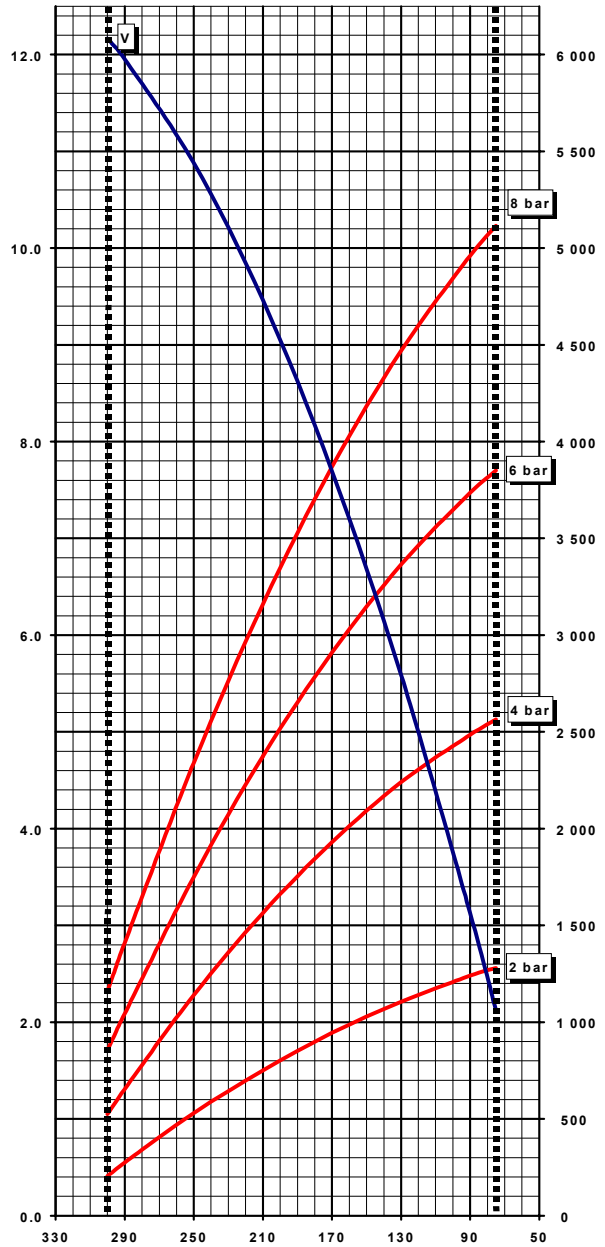
ASSEMBLED WITH 8 NUTS Hu10 AND 8 WASHERS GROWER WZ10.
FASTENING TORQUE 25 Nm

Heights (mm) (H)			Stroke (mm)
Maximum	Minimum	Design	
300	75	170	225
Diameters (mm)			Weight (kg)
Ø MAX	Overall		
325	350		6.7

Rubber Bellow	Features	Part Numbers
Standard	-Rubber Only	SP256
-40 to 70°C	-Assembled Bellows	SP1541
Butyl	-Rubber Only	SP1159
-25 to 90°C	-Assembled Bellows	SP1685
Epichlore	-Rubber Only	SP2231
-20 to 115°C	-Assembled Bellows	SP2593

VOLUME V (dm³) at 6 bar

LOAD (daN)



HEIGHT (mm)

- Indicative value of force required to reach minimum height at atmospheric pressure : 11 daN

- Maximum pressure : 8 bar

- The datas presented on this document are liable to evolution and don't constitute a commitment from DUNLOP AIRSPRINGS (see page 5-7).

BELLOWS 12" x 2

FOR USE AS A PNEUMATIC ACTUATOR

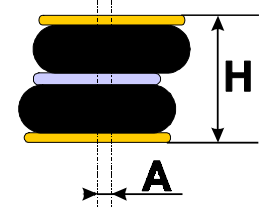
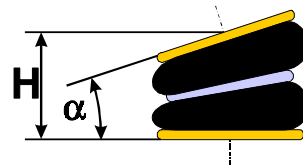
CHARACTERISTICS IN STATIC CONDITION				
HEIGHT (mm)	LOAD (daN)			
	Pressure 2 bar	Pressure 4 bar	Pressure 6 bar	Pressure 8 bar
75	1280	2565	3850	5115
100	1210	2430	3650	4845
150	1030	2095	3150	4180
170	945	1930	2910	3870
200	805	1665	2515	3345
250	530	1140	1750	2340
300	205	525	855	1160

ANGULAR CAPABILITY

Maximum (α)	For H between	
	H mini (mm)	H maxi (mm)
10°	100	255
15°	110	245
20°	115	235
25°	160	225

OUT OF ALIGNMENT

Maximum (A)	For H between	
	H mini (mm)	H maxi (mm)
10	105	270
20	130	260
30	150	245
40	175	230



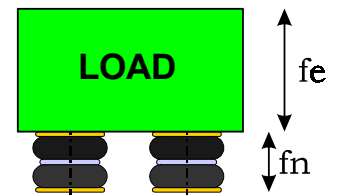
- Airsprings must not be pressurised unless they are restricted by an outside frame or by a suitable load.
- Strokes must be limited by the direct use of bump stops or external stops.
- When stacking airsprings, special cares must be taken to ensure the airsprings are guided and fixed.
- An Airspring is a single acting air actuator and must not be used below atmospheric pressure.
- Please check the over-pressure in case of quick compression.
- The datas presented on this document are liable to evolution and don't constitute a commitment from DUNLOP AIRSPRINGS (see page 5-7).

FOR USE AS AN ISOLATOR

DYNAMIC CHARACTERISTICS AT H= 220 mm *				
	Pressure 2 bar	Pressure 4 bar	Pressure 6 bar	Pressure 8 bar
LOAD (daN)	700	1465	2225	
VOLUME (dm³)	9.19	9.52	9.85	
STIFFNESS (daN/cm)	109	200	285	
NATURAL FREQUENCY (Hz)	1.97	1.84	1.78	
ISOLATION RATE at 10 Hz	96.0%	96.5%	96.7%	

- Isolation rate is given by the formula :

$$I = 1 - \frac{1}{\left(\frac{f_e}{f_n}\right)^2 - 1}$$



fe = Exciting frequency (Hz)
fn = Airspring natural frequency (Hz)

* Recommended height for better isolation.