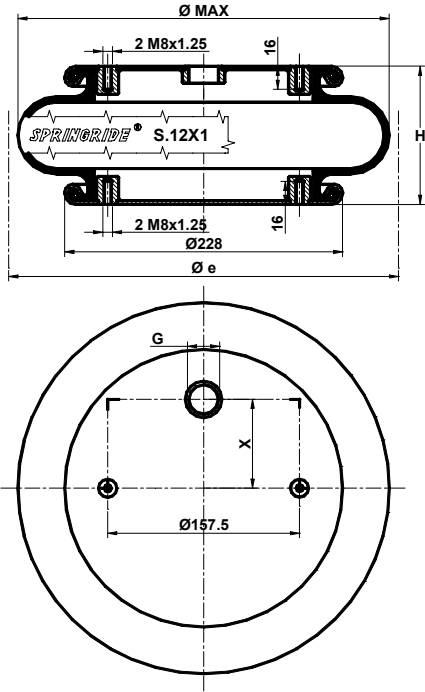


CRIMPED BELLOWS 12" x 1



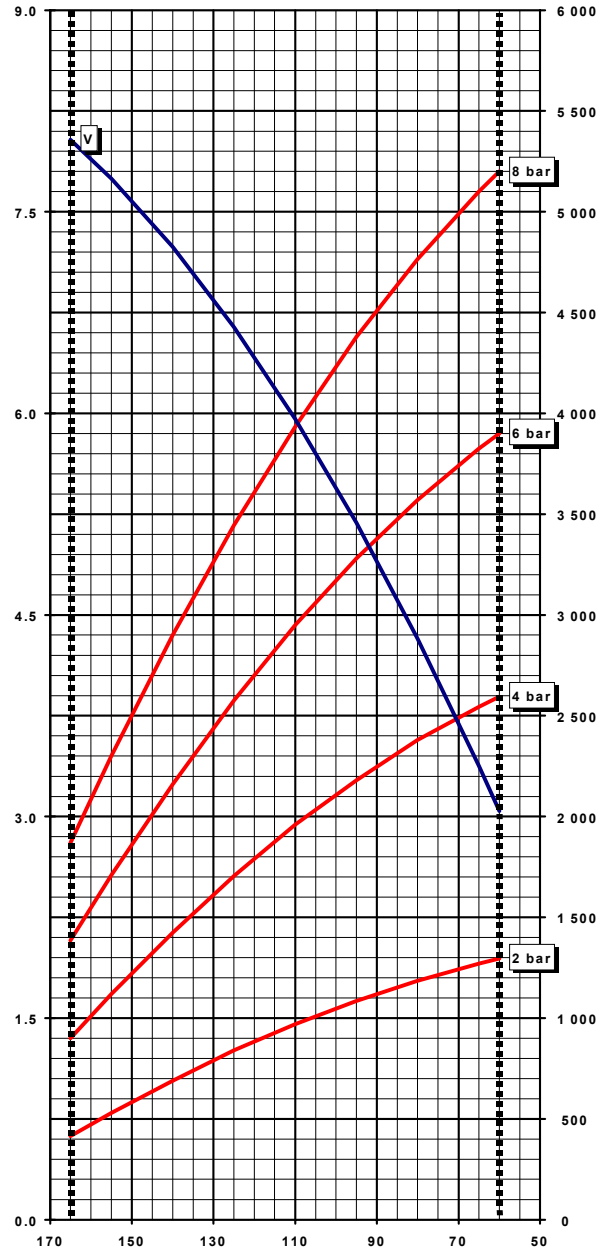
FASTENING TORQUE 25 Nm

Heights (mm) (H)			Stroke (mm)
Maximum	Minimum	Static	
165	60	110	105
Diameters (mm)			Weight (kg)
\varnothing MAX	Overall		
335	360		3.9

Rubber Bellows	G	X (mm)	Part Numbers
<u>Standard</u>	Rp3/4	73	S12100
-40 to 70°C	Rp1/4	73	S12101
<u>Butyl</u>	Rp3/4	73	S12160
-25 to 90°C			
<u>Epichlore</u>	Rp3/4	73	S12170
-20 to 115°C			
<u>Stainless Steel</u>	Rp1/4	73	S12104
-40 to 70°C			

VOLUME V (dm³) at 6 bar

LOAD (daN)



HEIGHT (mm)

- Indicative value of force required to reach minimum height at atmospheric pressure : 5 daN

- Maximum pressure : 8 bar

- The datas presented on this document are liable to evolution and don't constitute a commitment from DUNLOP AIRSPRINGS (see page 5-7).

CRIMPED BELLOWS 12" x 1

FOR USE AS A PNEUMATIC ACTUATOR

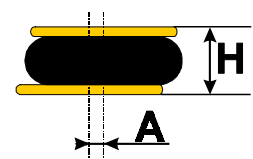
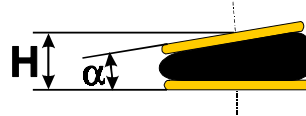
CHARACTERISTICS IN STATIC CONDITION				
HEIGHTS (mm)	LOAD (daN)			
	Pressure 2 bar	Pressure 4 bar	Pressure 6 bar	Pressure 8 bar
60	1295	2595	3900	5200
80	1185	2380	3570	4765
95	1085	2180	3280	4380
110	970	1960	2950	3935
125	840	1705	2575	3445
140	690	1425	2160	2900
165	415	900	1385	1870

ANGULAR CAPABILITY

Maximum (α)	For H between	
	H mini (mm)	H maxi (mm)
5°	90	140
10°	115	135

OUT OF ALIGNMENT

Maximum (A)	For H between	
	H mini (mm)	H maxi (mm)
10	100	155
20	115	150
30	120	140



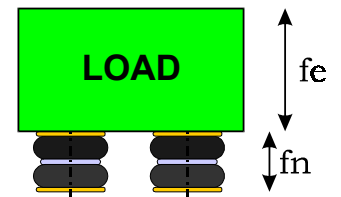
- Airsprings must not be pressurised unless they are restricted by an outside frame or by a suitable load.
- Strokes must be limited by the direct use of bump stops or external stops.
- When stacking airsprings, special cares must be taken to ensure the airsprings are guided and fixed.
- An Airspring is a single acting air actuator and must not be used below atmospheric pressure.
- Please check the over-pressure in case of quick compression.
- The datas presented on this document are liable to evolution and don't constitute a commitment from DUNLOP AIRSPRINGS (see page 5-7).

FOR USE AS AN ISOLATOR

DYNAMIC CHARACTERISTICS AT				H= 125 mm *
	Pressure 2 bar	Pressure 4 bar	Pressure 6 bar	
LOAD (daN)	840	1705	2575	
VOLUME (dm³)	6.36	6.50	6.64	
STIFFNESS (daN/cm)	207	370	530	
NATURAL FREQUENCY (Hz)	2.48	2.32	2.26	
ISOLATION RATE AT 10 Hz	93.5%	94.3%	94.6%	

- Isolation rate is given by the formula :

$$I = 1 - \frac{1}{\left(\frac{f_e}{f_n}\right)^2 - 1}$$



fe = Exciting frequency (Hz)
fn = Airsprings natural frequency (Hz)

* Recommended height for better isolation.