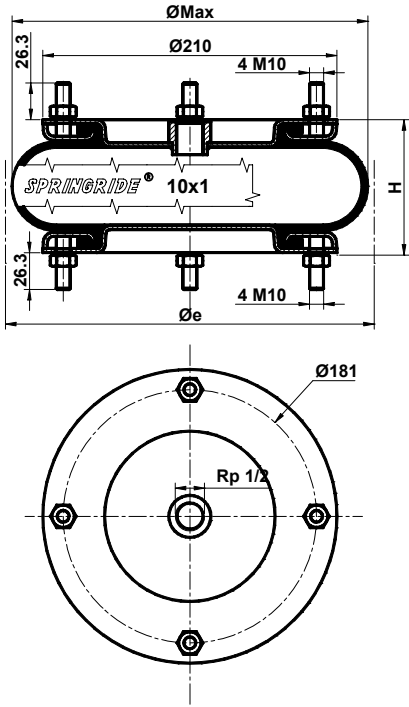


BELLOWS 10" x 1



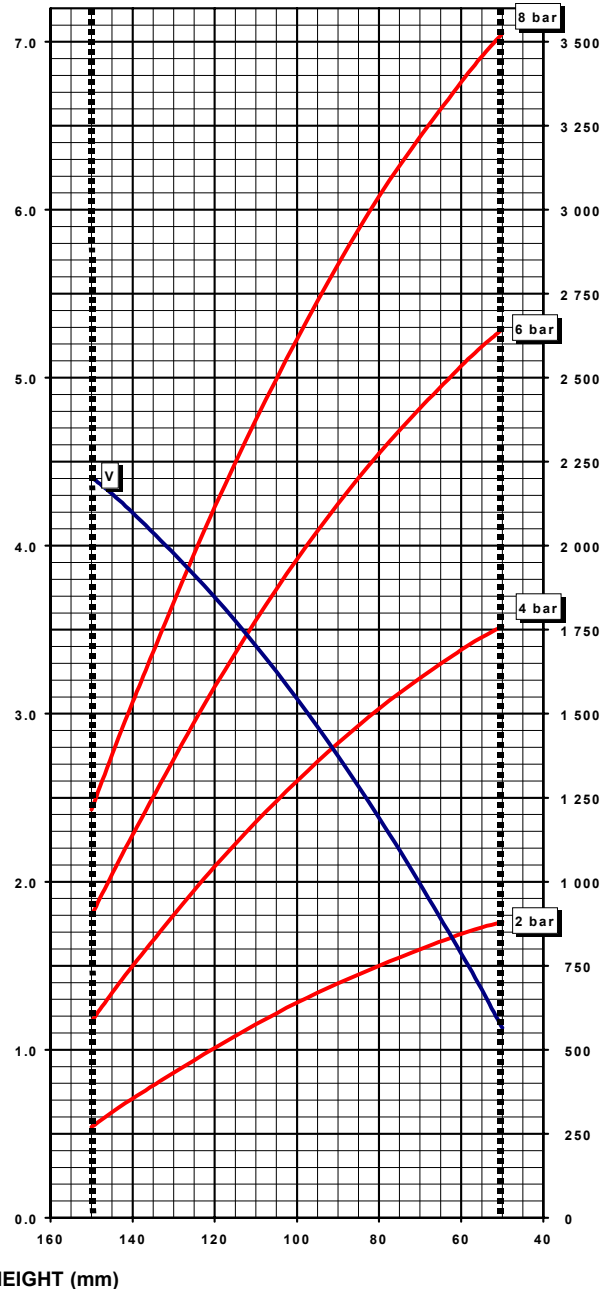
ASSEMBLED WITH 8 NUTS Hu10 AND 8 WASHERS GROWER WZ10.
FASTENING TORQUE 25 Nm

Heights (mm) (H)			Stroke (mm)
Maximum	Minimum	Design	
150	50	100	100
Diameters (mm)			Weight (kg)
Ø MAX	Overall		
280	300		3.9

Rubber Bellow	Features	Part Numbers
Standard	-Rubber Only	SP2520
-40 to 70°C	-Assembled Bellows	SP2523
Butyl	-Rubber Only	SP2521
-25 to 90°C	-Assembled Bellows	SP2571
Epichlore	-Rubber Only	SP2586
-20 to 115°C	-Assembled Bellows	SP2587

VOLUME V (dm³) at 6 bar

LOAD (daN)



- Indicative value of force required to reach minimum height at atmospheric pressure : 8 daN

- Maximum pressure : 8 bar

- The datas presented on this document are liable to evolution and don't constitute a commitment from DUNLOP AIRSPRINGS (see page 5-7).

BELLOWS 10" x 1

FOR USE AS A PNEUMATIC ACTUATOR

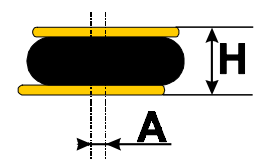
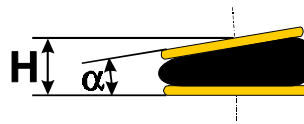
CHARACTERISTICS IN STATIC CONDITION				
HEIGHT (mm)	LOAD (daN)			
	Pressure 2 bar	Pressure 4 bar	Pressure 6 bar	Pressure 8 bar
50	880	1760	2645	3525
60	845	1690	2535	3380
80	750	1515	2275	3040
100	640	1300	1960	2615
120	505	1045	1580	2115
140	355	750	1140	1535
150	270	585	900	1215

ANGULAR CAPABILITY

Maximum (α)	For H between	
	H mini (mm)	H maxi (mm)
5°	60	125
10°	70	115
15°	80	105

OUT OF ALIGNMENT

Maximum (A) (mm)	For H between	
	H mini (mm)	H maxi (mm)
10	70	135
20	80	130
30	90	115



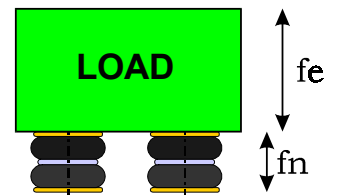
- Airsprings must not be pressurised unless they are restricted by an outside frame or by a suitable load.
- Strokes must be limited by the direct use of bump stops or external stops.
- When stacking airsprings, special cares must be taken to ensure the airsprings are guided and fixed.
- An Airspring is a single acting air actuator and must not be used below atmospheric pressure.
- Please check the over-pressure in case of quick compression.
- The datas presented on this document are liable to evolution and don't constitute a commitment from DUNLOP AIRSPRINGS (see page 5-7).

FOR USE AS AN ISOLATOR

DYNAMIC CHARACTERISTICS AT H= 120 mm *				
	Pressure 2 bar	Pressure 4 bar	Pressure 6 bar	Pressure 8 bar
LOAD (daN)	505	1045	1580	
VOLUME (dm³)	3.37	3.53	3.69	
STIFFNESS (daN/cm)	150	271	385	
NATURAL FREQUENCY (Hz)	2.71	2.54	2.46	
ISOLATION RATE at 10 Hz	92.1%	93.1%	93.5%	

- Isolation rate is given by the formula :

$$I = 1 - \frac{1}{\left(\frac{f_e}{f_n}\right)^2 - 1}$$



fe = Exciting frequency (Hz)
fn = Airspring natural frequency (Hz)

* Recommended height for better isolation.