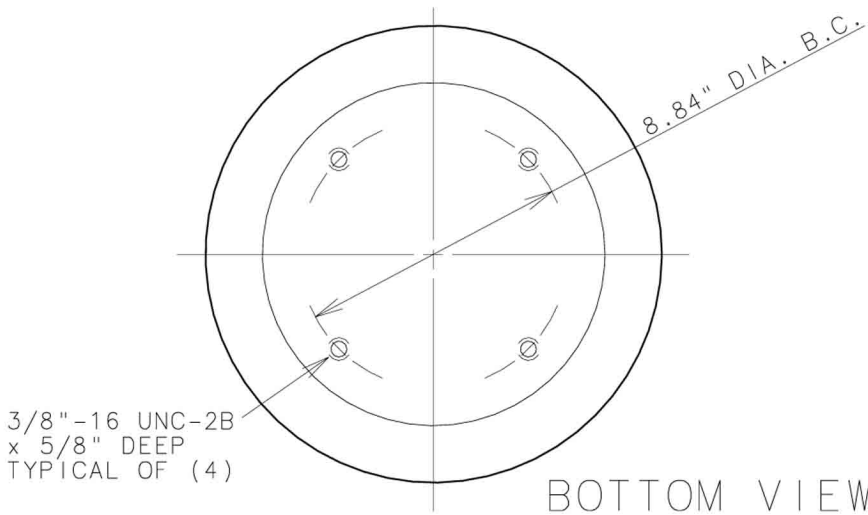
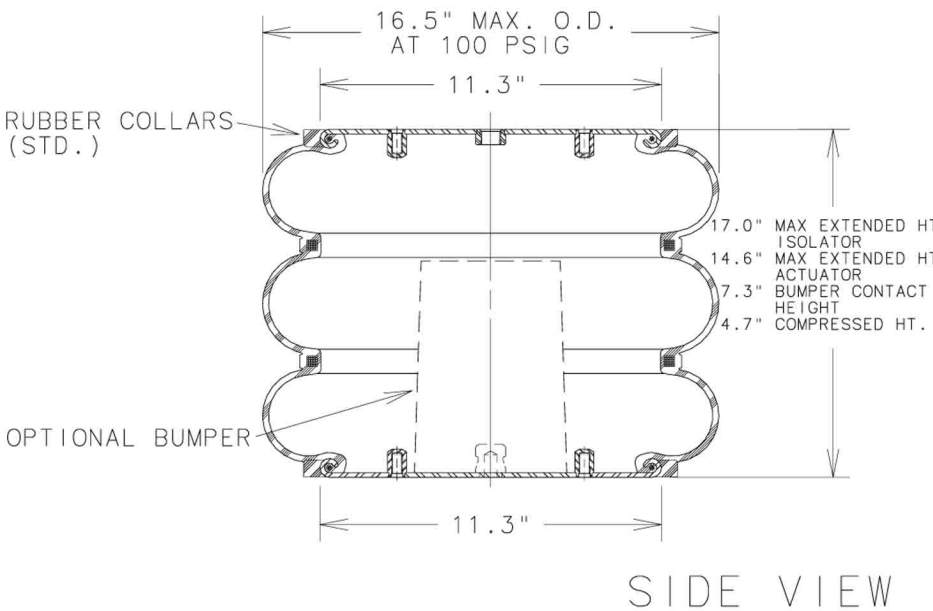
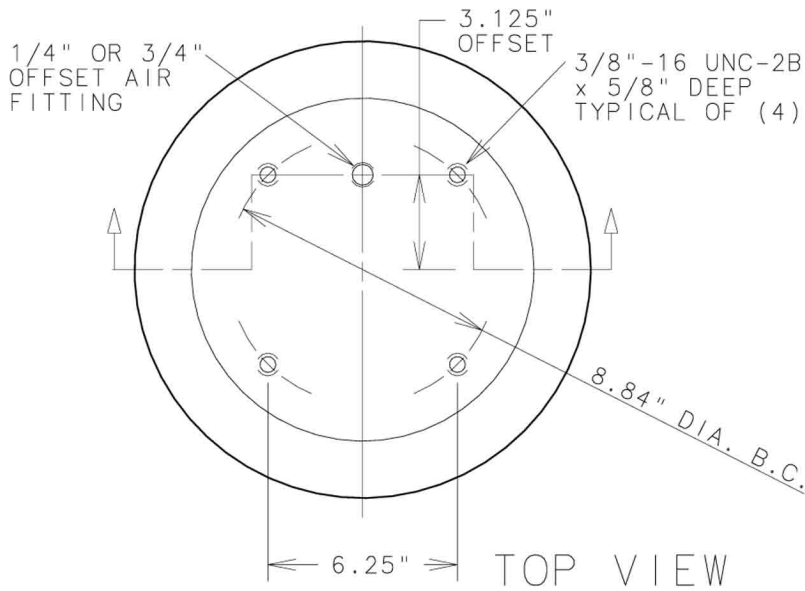


3B15-375



ASSEMBLY NUMBER	ELASTOMER	AIR FITTING	BUMPER INCLUDED
3B15-375	NAT. RUBBER	1/4"-18 NPTF OFFSET 3.125"	NO
3B15-376	NAT. RUBBER	1/4"-18 NPTF OFFSET 3.125"	YES
3B15-377	NAT. RUBBER	3/4"-14 NPTF OFFSET 3.125"	NO
3B15-378	NAT. RUBBER	3/4"-14 NPTF OFFSET 3.125"	YES
578933377 FLEXMEMBER ONLY	NAT. RUBBER	----	---

SPRING FEATURES:

- LOAD RANGE (ISOLATOR).....2200-12800 lb
- DESIGN HEIGHT RANGE (ISOLATOR)....10.5-12.5 in
- USEABLE STROKE w/o BUMPER (ACTUATOR)...9.9 in
- USEABLE STROKE WITH BUMPER (ACTUATOR)...7.3 in
- ASSEMBLY WEIGHT.....23.0 lb
- TEMPERATURE RANGE*.....
- FORCE TO COMPRESS AT 0 PSIG (APPROX.)...30 lb
- NOMINAL FREE STANDING HT. AT 0 PSIG....5.3 in

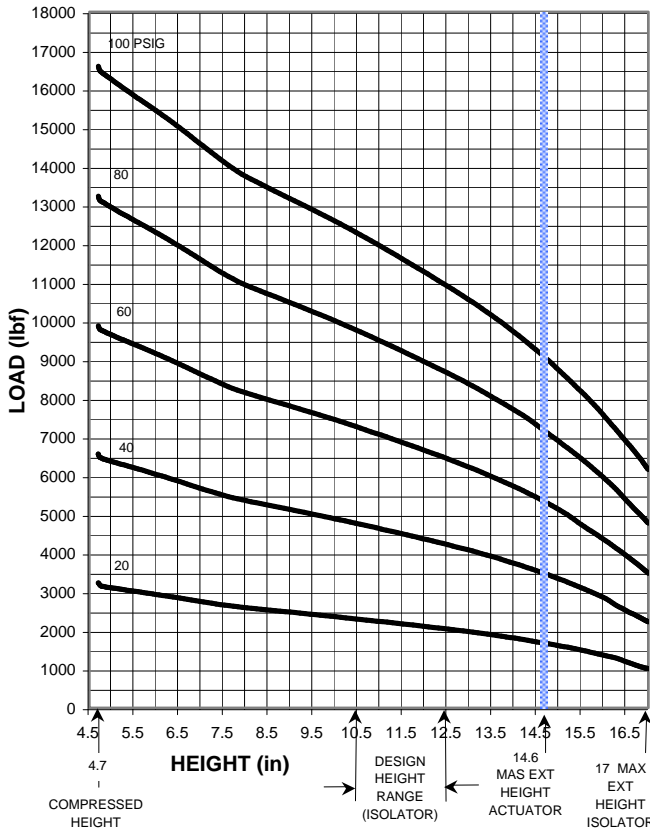
* NOTE: PRODUCT LIFE MAY BE SHORTENED WHEN OPERATING AT OR NEAR EXTREME TEMPERATURES. SEE TEMPERATURE RANGE GUIDELINES SECTION.

RECOMMENDED MAX. TORQUE VALUES

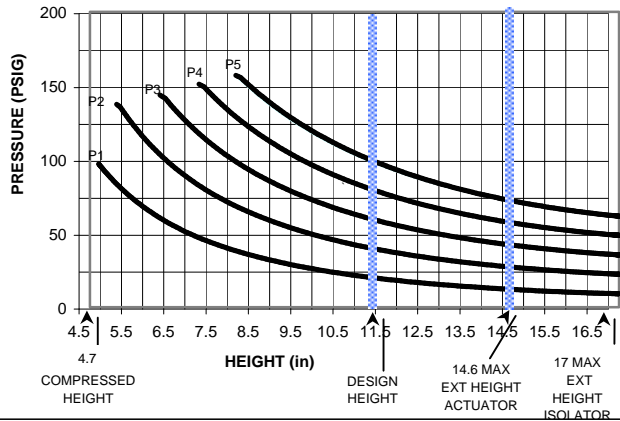
3/8"-16 UNC BLIND TAP TYP. OF (8)	1/4"-18 UNC AIR FITTING	3/4"-14 UNC AIR FITTING
300 in-lb 25 ft-lb	240 in-lb 20 ft-lb	240 in-lb 20 ft-lb

NOTE: SEE GUIDELINES FOR PROPER APPLICATION OF THIS PRODUCT

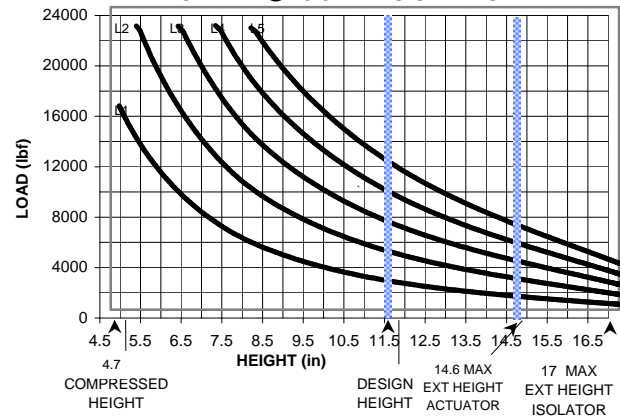
LOAD vs. DEFLECTION @ CONSTANT PRESSURE



DYNAMIC DATA @ 13.0 in DESIGN HEIGHT



DYNAMIC DATA @ 13.0 in DESIGN HEIGHT



****NOTE: MAXIMUM INFLATION PRESSURE IS 100 PSIG. MAXIMUM JOUNCE PRESSURE IS 200 PSIG. IF YOUR APPLICATION WILL EXCEED THESE LIMITS, CONSULT A GOODYEAR REPRESENTATIVE FOR APPLICATION ASSISTANCE.**

CONSTANT PRESSURE CHARACTERISTICS

Assembly Height (in)	Volume @ 100 PSIG (in ³)	Force (lb)				
		@ 20 PSIG	@ 40 PSIG	@ 60 PSIG	@ 80 PSIG	@ 100 PSIG
17.0	1997	1000	2200	3400	4700	6100
16.0	1915	1300	2800	4400	5900	7600
15.0	1824	1600	3400	5100	7000	8800
14.6	1784	1700	3500	5400	7100	9200
14.0	1725	1900	3800	5800	7400	9800
12.5	1565	2200	4400	6600	8900	11200
11.5	1450	2300	4700	7100	9500	12000
10.5	1332	2500	5000	7600	10100	12800
9.0	1144	2700	5500	8200	10900	13700
7.0	887	3000	6000	9000	12000	15000
4.7	595	3200	6500	9700	13200	16500

DYNAMIC CHARACTERISTICS

Design Height (in)	Load (lb)	Pressure (PSIG)	Spring Rate (lb/in)	Natural Frequency	
				cpm	Hz
12.5	2300	21	495	87	1.45
	4600	42	875	82	1.37
	6900	62	1210	79	1.32
	9200	83	1585	78	1.30
11.5	2300	20	540	91	1.52
	4600	39	905	83	1.38
	6900	58	1255	80	1.33
	9200	77	1630	79	1.32
	11500	96	2010	78	1.30
10.5	2300	19	585	95	1.58
	4600	37	965	86	1.43
	6900	55	1330	83	1.38
	9200	73	1710	81	1.35
	11500	91	2090	80	1.33