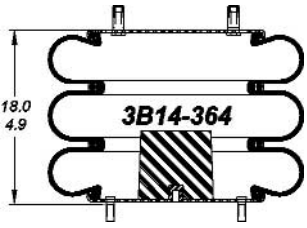
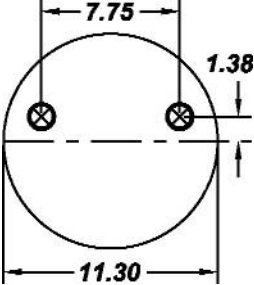
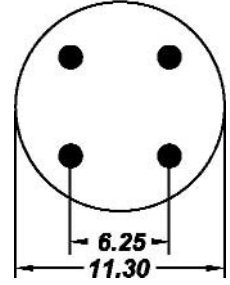
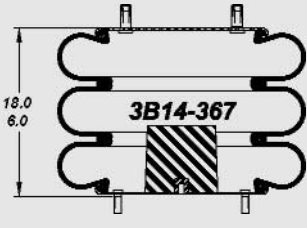
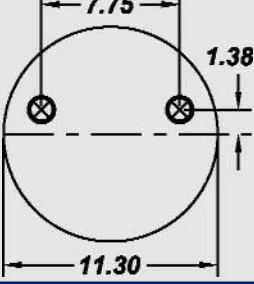
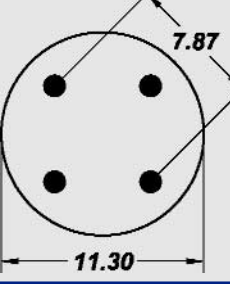
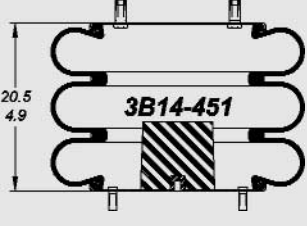
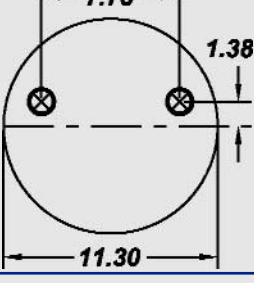
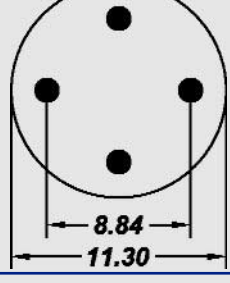
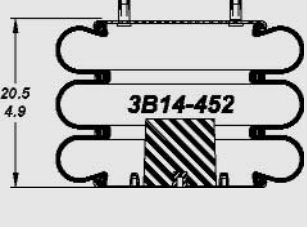
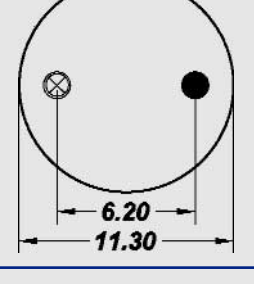
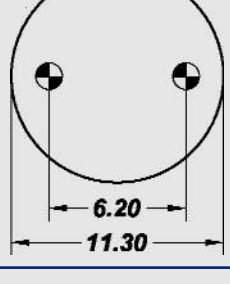


BELLOWS STYLE

GOODYEAR PART NO.	Side View With Extended and Compressed Height	Upper Mounting View	Lower Mounting View	Replaces These Springs
3B14-364 Flexmember 578-93-3-350		ASA-92-8-100 	ASA-92-6-015 	Firestone 7843 Hendrickson B-7100 Triangle 4455
3B14-367 Flexmember 578-93-3-350		ASA-92-8-100 	ASA-92-6-050 	Dayton 354-7847 Firestone 7847 Hendrickson B-8874 Triangle 4457
3B14-451 Flexmember 556-33-8-335		ASA-92-8-100 	ASA-92-6-015 	Firestone 7846 Hendrickson S-7853 Triangle 4456
3B14-452 Flexmember 556-33-8-335		ASA-92-8-174 	ASA-92-6-056 	Firestone 7850 Triangle 4441

- - Bolt or Stud - 1/2-13 or 1/2-20
- ⊗ - Air Fitting - 1/4 NPTF
- ⊙ - Stud - 3/4-10
- ⊕ - Tapped Hole on Top Retainers
- ⊗ - Air Fitting - 1/2 NPTF
- ⊗ - Combination Stud Air Fitting
- 3/8-16, on Pistons - 1/2-13
- 3/8 NPTF
- Stud - 3/4-16; Air Fitting - 1/4 NPTF