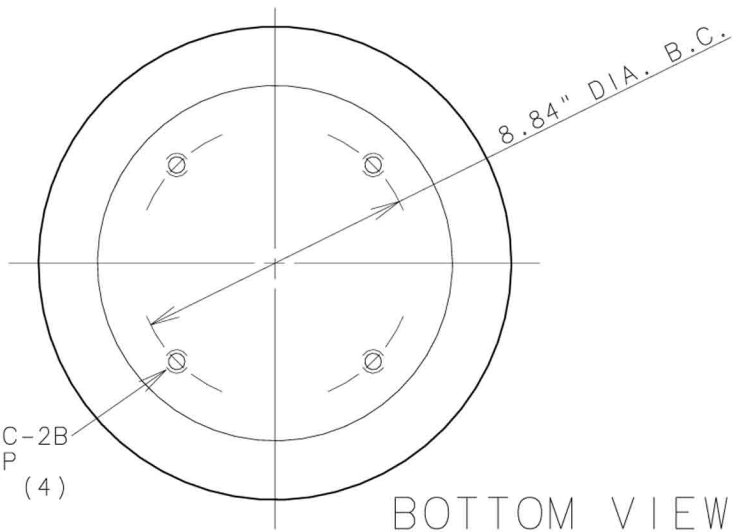
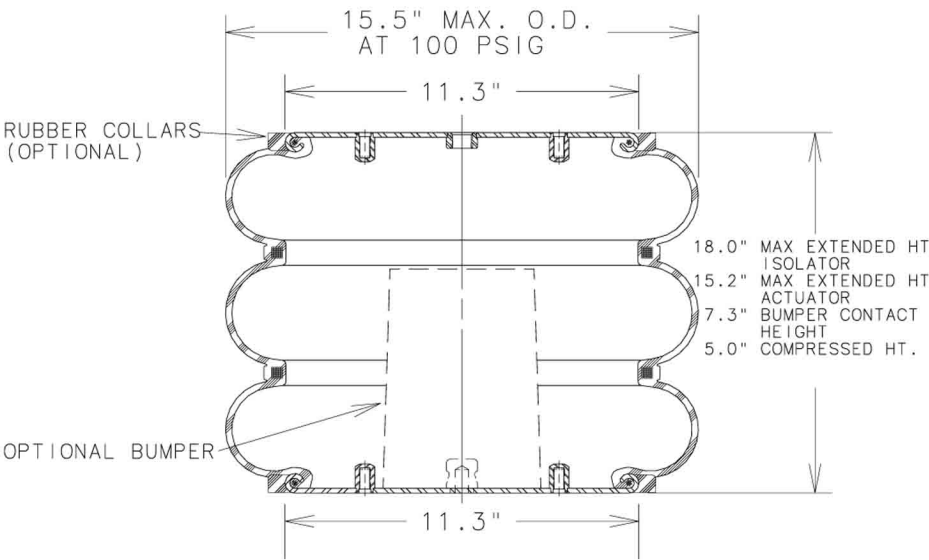
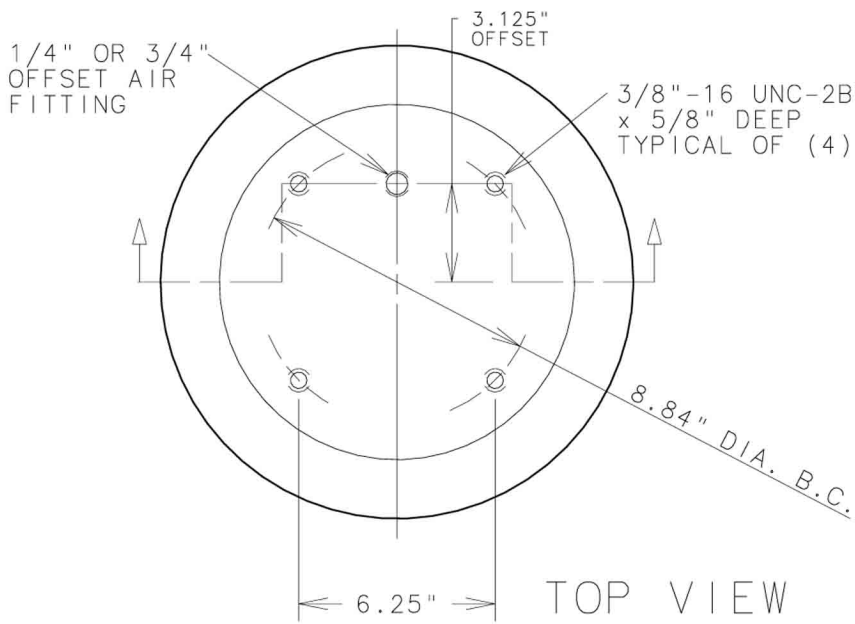


3B14-354



ASSEMBLY NUMBER	ELASTOMER	AIR FITTING	BUMPER INCLUDED	RUBBER COLLARS
3B14-354	NAT. RUBBER	1/4"-18 NPTF OFFSET 3.125"	NO	NO
3B14-351	NAT. RUBBER	1/4"-18 NPTF OFFSET 3.125"	YES	YES
3B14-361	NAT. RUBBER	3/4"-14 NPTF OFFSET 3.125"	NO	YES
3B14-353	NAT. RUBBER	3/4"-14 NPTF OFFSET 3.125"	YES	YES
3B14-403	NAT. RUBBER	1/4"-18 NPTF OFFSET 3.125"	NO	YES
578933350 FLEXMEMBER ONLY	NET. RUBBER	---	---	---

SPRING FEATURES:

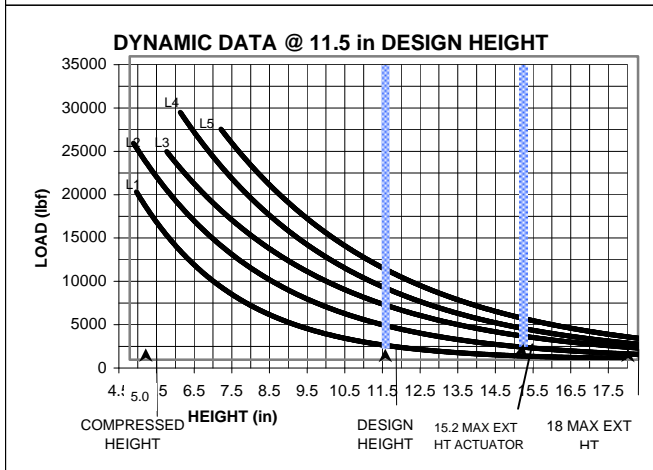
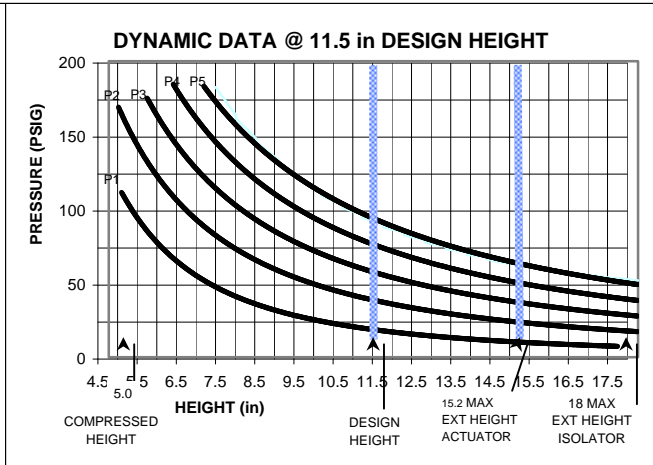
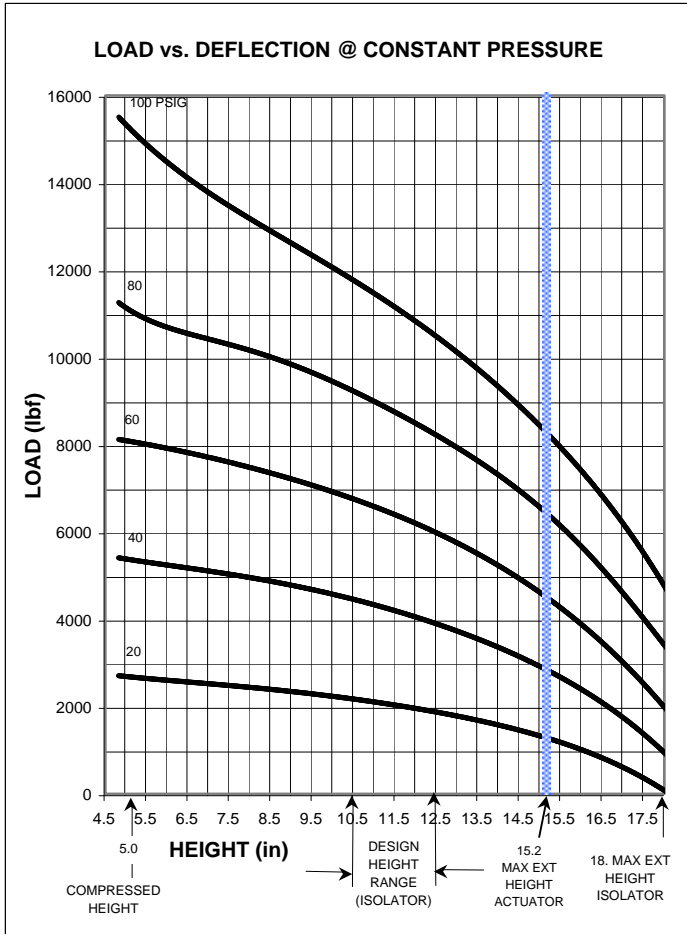
- LOAD RANGE (ISOLATOR).....1900-12100 lb
- DESIGN HEIGHT RANGE (ISOLATOR)....10.5-12.5 in
- USEABLE STROKE w/o BUMPER (ACTUATOR)...10.2 in
- USEABLE STROKE WITH BUMPER (ACTUATOR)...7.9 in
- ASSEMBLY WEIGHT.....21.2 lb
- TEMPERATURE RANGE*.....
- FORCE TO COMPRESS AT 0 PSIG (APPROX.)....72 lb
- NOMINAL FREE STANDING HT. AT 0 PSIG.....9.8 in

* NOTE: PRODUCT LIFE MAY BE SHORTENED WHEN OPERATING AT OR NEAR EXTREME TEMPERATURES. SEE TEMPERATURE RANGE GUIDELINES SECTION.

RECOMMENDED MAX. TORQUE VALUES

3/8"-16 UNC BLIND TAP TYP. OF (8)	1/4"-18 UNC AIR FITTING	3/4"-14 UNC AIR FITTING
300 in-lb 25 ft-lb	240 in-lb 20 ft-lb	240 in-lb 20 ft-lb

NOTE: SEE GUIDELINES FOR PROPER APPLICATION OF THIS PRODUCT



****NOTE: MAXIMUM INFLATION PRESSURE IS 100 PSIG. MAXIMUM JOUNCE PRESSURE IS 200 PSIG. IF YOUR APPLICATION WILL EXCEED THESE LIMITS, CONSULT A GOODYEAR REPRESENTATIVE FOR APPLICATION ASSISTANCE.**

CONSTANT PRESSURE CHARACTERISTICS

Assembly Height (in)	Volume @ 100 PSIG (in ³)	Force (lb)				
		@ 20 PSIG	@ 40 PSIG	@ 60 PSIG	@ 80 PSIG	@ 100 PSIG
18.0	2052	80	900	1900	3300	4700
16.0	1885	1050	2400	3900	5700	7500
15.2	1807	1200	2800	4500	6300	8300
14.0	1680	1600	3400	5300	7400	9500
12.5	1508	1900	4000	6100	8000	10700
11.5	1387	2100	4300	6500	9000	11400
10.5	1262	2200	4600	6900	9500	12100
9.0	1067	2400	4900	7400	10100	13000
7.0	805	2600	5200	7800	10600	14000
6.0	673	2600	5300	8000	10800	14700
5.0	541	2600	5300	8100	11000	1500
4.7	502	2700	5400	8200	11000	15200

DYNAMIC CHARACTERISTICS

Design Height (in)	Load (lb)	Pressure (PSIG)	Spring Rate (lb/in)	Natural Frequency	
				cpm	Hz
12.5	2000	20	510	95	1.58
	4000	39	840	86	1.43
	6000	58	1150	82	1.37
	8000	77	1460	80	1.33
11.5	10000	95	1770	79	1.32
	2000	19	530	97	1.62
	4000	37	870	88	1.47
	6000	55	1195	74	1.23
10.5	8000	72	1540	82	1.37
	10000	90	1885	81	1.35
	2000	18	570	101	1.68
	4000	35	940	91	1.52
6.0	6000	52	1300	88	1.47
	8000	69	1655	86	1.43
	10000	85	2050	85	1.42