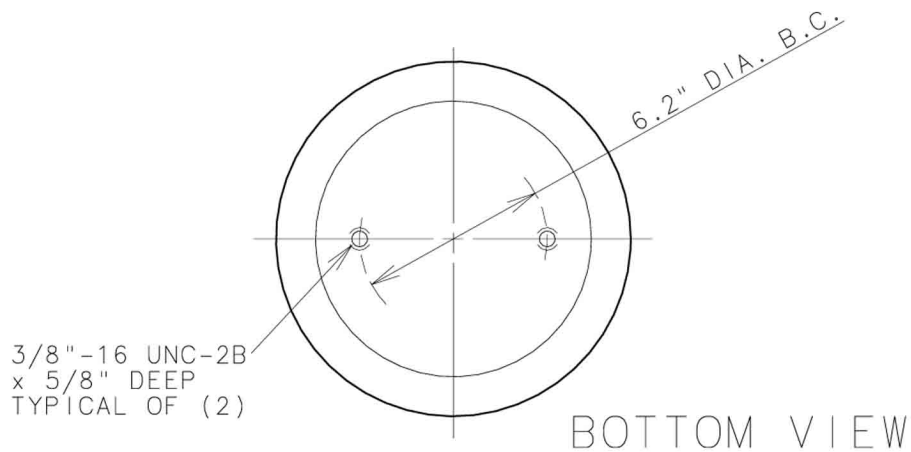
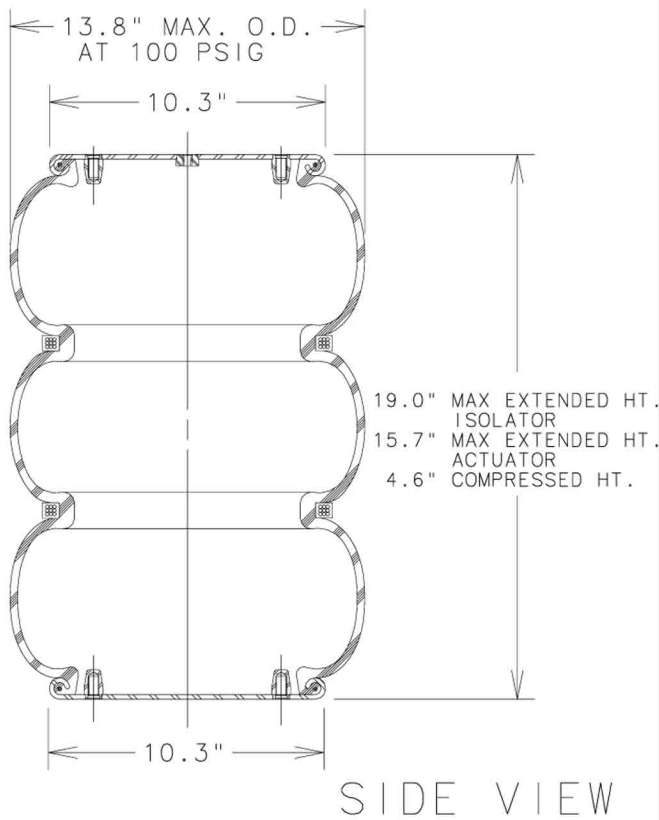
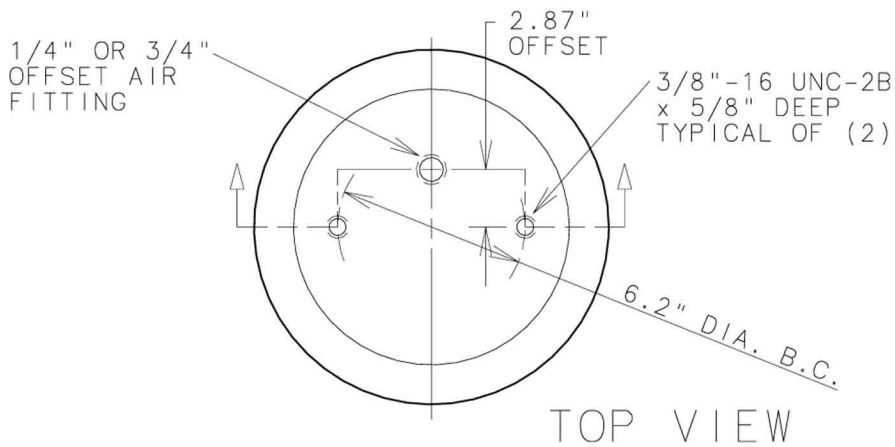


# 3B12-325



ASSEMBLY NUMBER	ELASTOMER	AIR FITTING	BUMPER INCLUDED
3B12-325	NAT. RUBBER	1/4"-18 NPTF OFFSET 2.87"	NO
3B12-326	NAT. RUBBER	3/4"-14 NPTF OFFSET 2.87"	NO
578933103 FLEXMEMBER ONLY	NAT. RUBBER	----	---

## SPRING FEATURES:

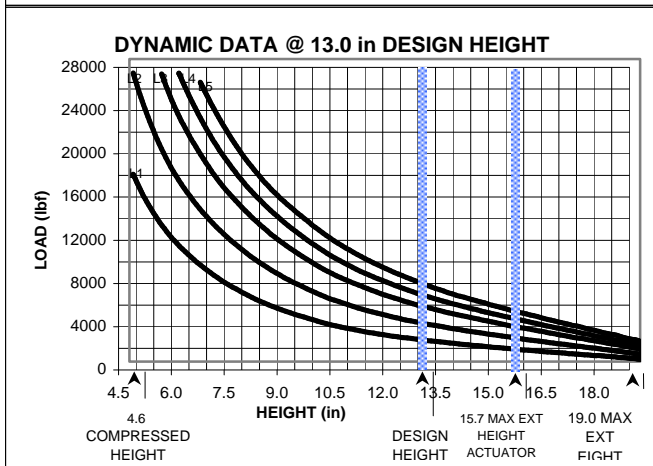
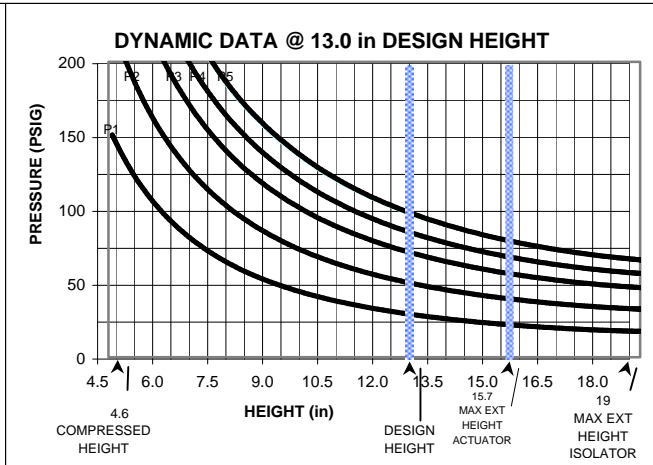
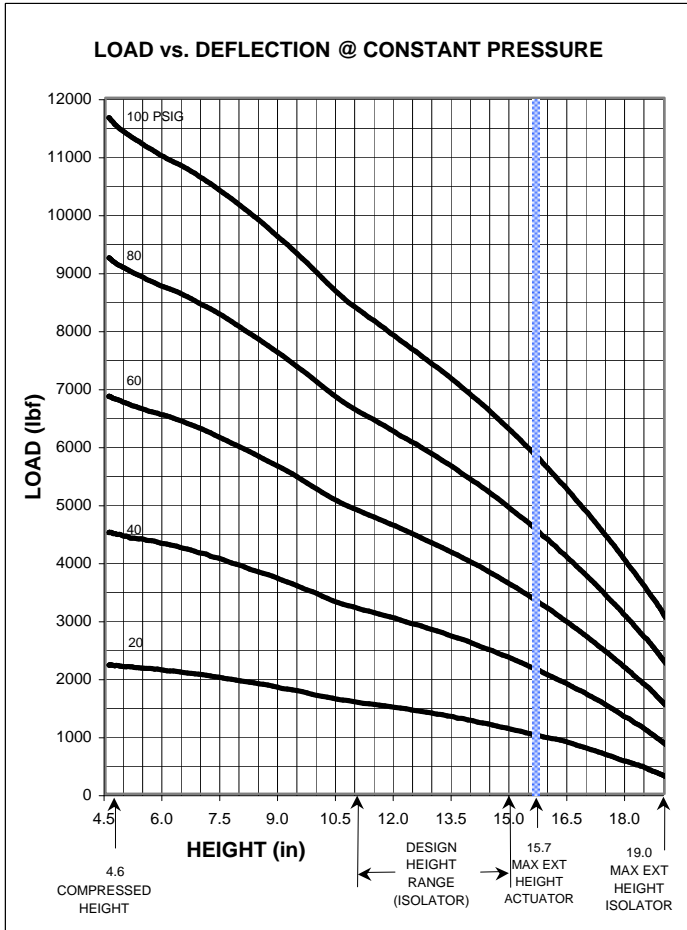
- LOAD RANGE (ISOLATOR).....1100-8400 lb
- DESIGN HEIGHT RANGE (ISOLATOR)....11.0-15.0 in
- USEABLE STROKE (ACTUATOR).....11.1 in
- ASSEMBLY WEIGHT.....16.5 lb
- TEMPERATURE RANGE\*.....
- FORCE TO COMPRESS AT 0 PSIG (APPROX.)...100 lb
- NOMINAL FREE STANDING HT. AT 0 PSIG....10.5 in

\* NOTE: PRODUCT LIFE MAY BE SHORTENED WHEN OPERATING AT OR NEAR EXTREME TEMPERATURES. SEE TEMPERATURE RANGE GUIDELINES SECTION.

## RECOMMENDED MAX. TORQUE VALUES

3/8"-16 UNC BLIND TAP TYP. OF (4)	1/4"-18 UNC AIR FITTING	3/4"-14 UNC AIR FITTING
300 in-lb 25 ft-lb	240 in-lb 20 ft-lb	240 in-lb 20 ft-lb

NOTE: SEE GUIDELINES FOR PROPER APPLICATION OF THIS PRODUCT



**\*\*NOTE: MAXIMUM INFLATION PRESSURE IS 100 PSIG. MAXIMUM JOUNCE PRESSURE IS 200 PSIG. IF YOUR APPLICATION WILL EXCEED THESE LIMITS, CONSULT A GOODYEAR REPRESENTATIVE FOR APPLICATION ASSISTANCE.**

## CONSTANT PRESSURE CHARACTERISTICS

Assembly Height (in)	Volume @ 100 PSIG (in <sup>3</sup> )	Force (lb)				
		@ 20 PSIG	@ 40 PSIG	@ 60 PSIG	@ 80 PSIG	@ 100 PSIG
19.0	1598	300	800	1500	2200	2900
18.0	1550	550	1300	2100	3000	4000
17.0	1504	800	1700	2700	3700	4800
16.0	1440	950	2000	3200	4400	5600
15.7	1420	1000	2100	3300	4500	5800
15.0	1373	1100	2300	3600	4900	6300
13.0	1235	1400	2800	4300	5800	7400
11.0	1085	1550	3200	4900	6600	8400
9.0	892	1850	3700	5600	7600	9600
7.0	681	2050	4100	6300	8400	10600
6.0	560	2100	4250	6500	8700	10900
4.6	433	2100	4400	6700	9100	11500
4.5	429	2200	4500	6800	9200	11600

## DYNAMIC CHARACTERISTICS

Design Height (in)	Load (lb)	Pressure (PSIG)	Spring Rate (lb/in)	Natural Frequency	
				cpm	Hz
15.0	2000	34	360	79	1.32
	3500	57	635	80	1.33
	5000	80	865	78	1.30
	6000	95	1020	77	1.28
13.0	2000	29	340	78	1.30
	3500	50	675	83	1.38
	5000	70	895	80	1.33
	6000	83	970	76	1.27
	7000	96	1135	75	1.25
11.0	2000	26	445	88	1.47
	3500	45	670	82	1.37
	5000	62	925	81	1.35
	6000	75	1080	80	1.33
	7000	86	1235	79	1.32