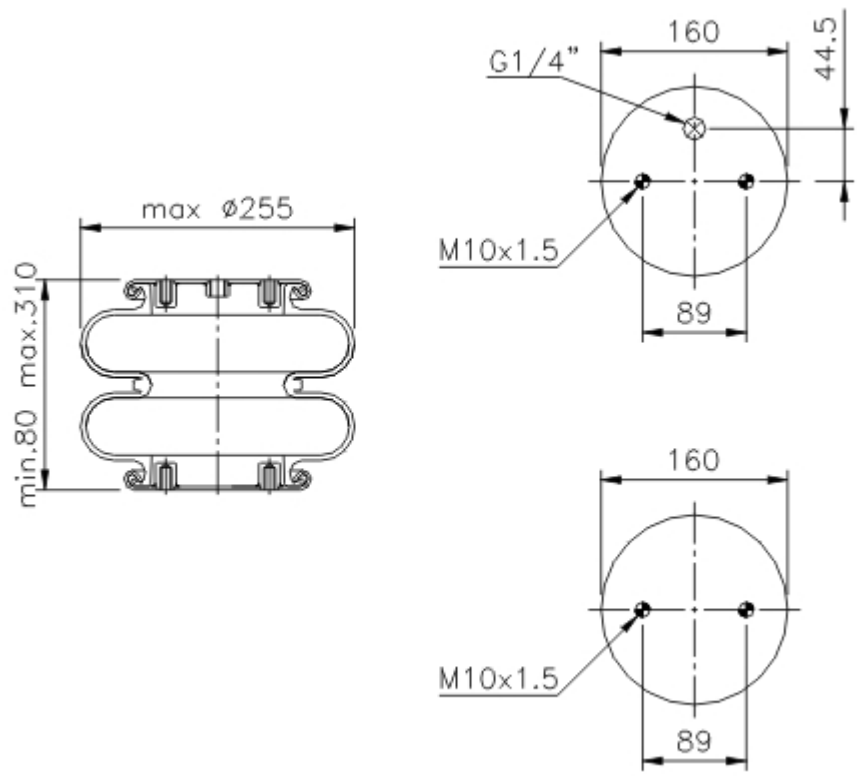


[PRINT](#)



Goodyear Part No.: **2B9-2250**

Flex Member No.: **578-92-3-2250**



- Mounting Stud
- ⊗ Air Fitting
- ⊙ Tapped hole
- ⊗ Combination Stud/ Air Fitting

OEM

Manufacturer		
Model	OEM	F/R
SAF AIR SUSPENSION		
	4.229.1004.00	

Competitor

Manufacturer	AirSpring style
Springride	S09208

[PRINT](#)