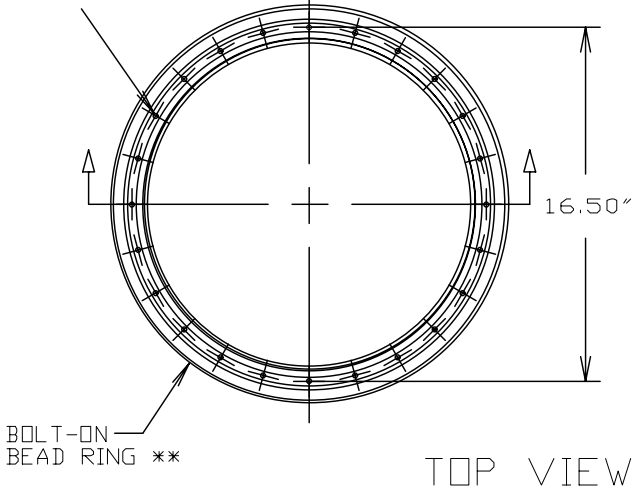
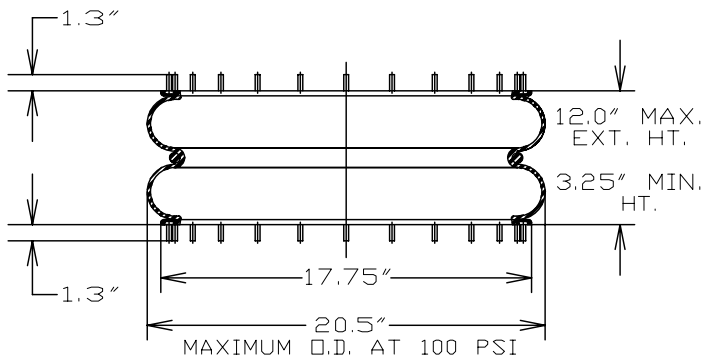


2B19-8433

24 BOLTS EQUALLY SPACED
3/8"-24UNF BY 2.05" O.A.L.

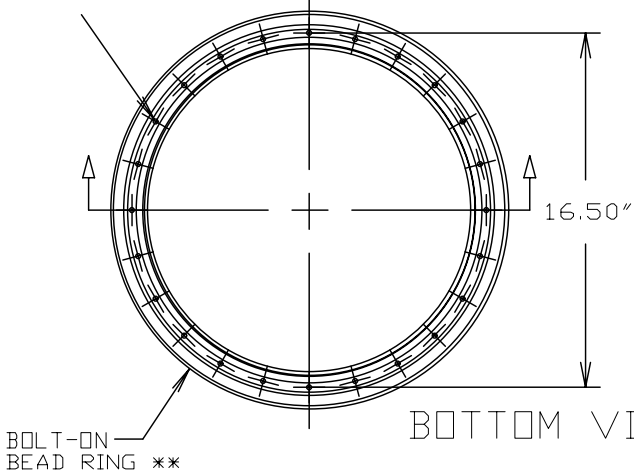


TOP VIEW



SIDE VIEW

24 BOLTS EQUALLY SPACED
3/8"-24UNF BY 2.05" O.A.L.



BOTTOM VIEW

ASSEMBLY NUMBER	BEAD RINGS	BOLTS/NUTS /WASHERS
2B19-8423	2 PCS	48 PCS = M10x1.5
2B19-8433	2 PCS	48 PCS = 3/8"-24UNF
FLEX MEMBER = 556-23-8203		

SPRING FEATURES:

- LOAD RANGE3200-23700 lb
- DESIGN HEIGHT RANGE (ISOLATOR).....7.0-10.0 in
- USEABLE STROKE8.75 in
- ASSEMBLY WEIGHT [NO PLATES].....20.0 lb
- TEMPERATURE RANGE*.....
- BEAD RING (BOLT-ON).....ALUMINUM

* NOTE: PRODUCT LIFE MAY BE SHORTENED WHEN OPERATING AT OR NEAR EXTREME TEMPERATURES. SEE TEMPERATURE RANGE GUIDELINES SECTION.

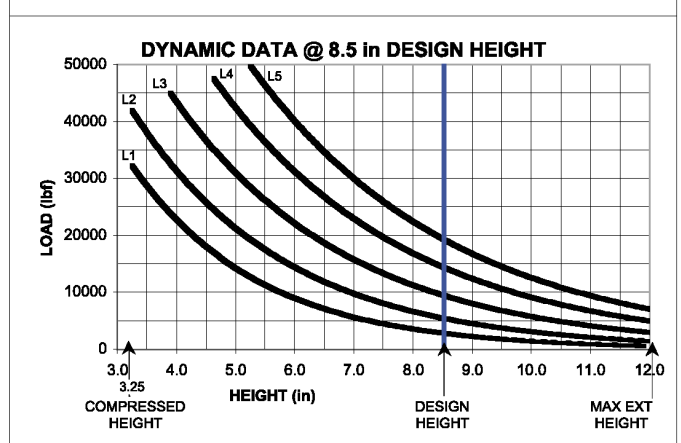
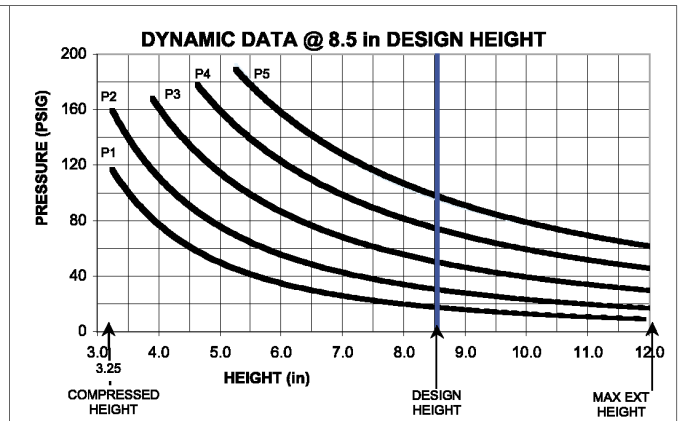
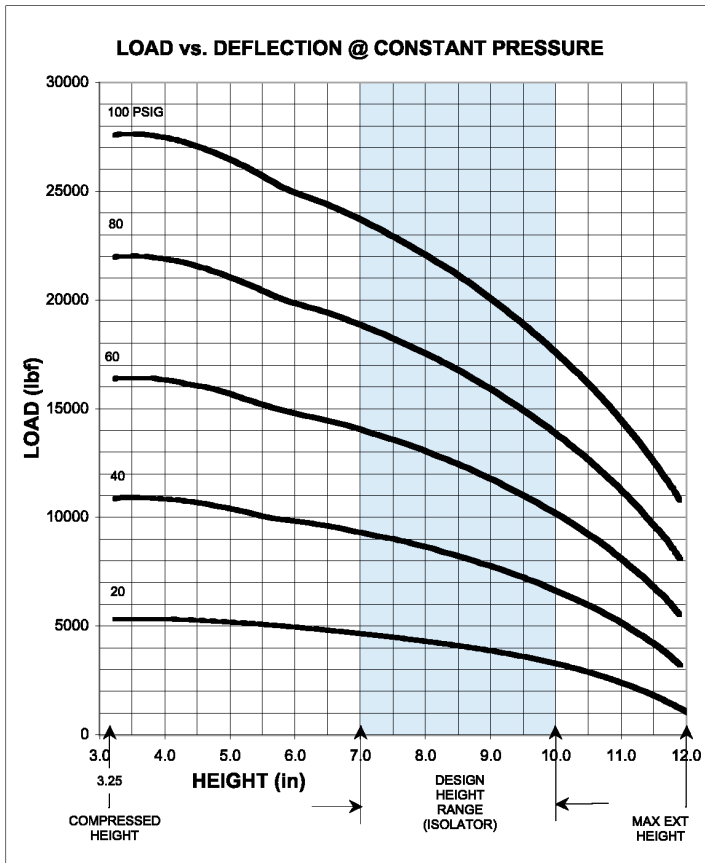
** CUSTOMER TO PROVIDE END PLATES TO MATCH BOLT PATTERN
END PLATE WOULD HAVE AIRFITTING

RECOMMENDED MAX. TORQUE VALUES

3/8"-24UNF	M10 x 1.5
300 in-lb 25 ft-lb	34 N-m

NOTE: SEE GUIDELINES FOR PROPER APPLICATION OF THIS PRODUCT

GRAPHS FOR REFERENCE ONLY - USE THE CHART DATA BELOW FOR DESIGN WORK



****NOTE: MAXIMUM INFLATION PRESSURE IS 100 PSIG. MAXIMUM JOUNCE PRESSURE IS 200 PSIG. IF YOUR APPLICATION WILL EXCEED THESE LIMITS, CONSULT A GOODYEAR REPRESENTATIVE FOR APPLICATION ASSISTANCE.**

CONSTANT PRESSURE CHARACTERISTICS

Assembly Height (in)	Volume @ 100 PSIG (in ³)	Nominal Force (lb)				
		@ 20 PSIG	@ 40 PSIG	@ 60 PSIG	@ 80 PSIG	@ 100 PSIG
12.0	2802	1150	3100	5400	8000	10700
11.0	2662	2400	5200	8000	11400	14700
10.0	2483	3200	6600	10000	13800	17700
8.5	2453	4100	8200	12500	16800	21200
7.0	2188	4600	9300	14100	18800	23700
6.0	2036	4900	9800	14800	19800	24900
5.0	1681	5100	10400	15700	21000	26500
4.0	1293	5300	10800	16300	21800	27400
3.25	876	5400	10900	16400	21900	27500

DYNAMIC CHARACTERISTICS

Design Height (in)	Load (lb)	Pressure (PSIG)	Spring Rate (lb/in)	Natural Frequency	
				cpm	Hz
10.0	3500	22	1285	114	1.90
	6000	36	1990	108	1.80
	10000	58	2975	103	1.72
	15000	85	4155	99	1.65
8.5	3500	18	1250	112	1.87
	6000	30	1860	105	1.75
	10000	49	2790	99	1.65
	15000	72	3905	96	1.60
7.0	20000	96	5030	94	1.57
	3500	16	1480	122	2.03
	6000	27	2095	111	1.85
	10000	44	3105	105	1.75
7.0	15000	66	4290	101	1.68
	20000	87	5495	99	1.65