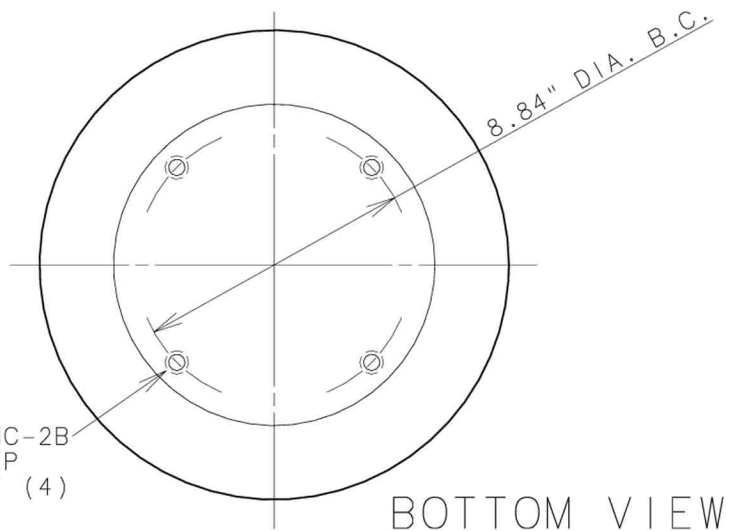
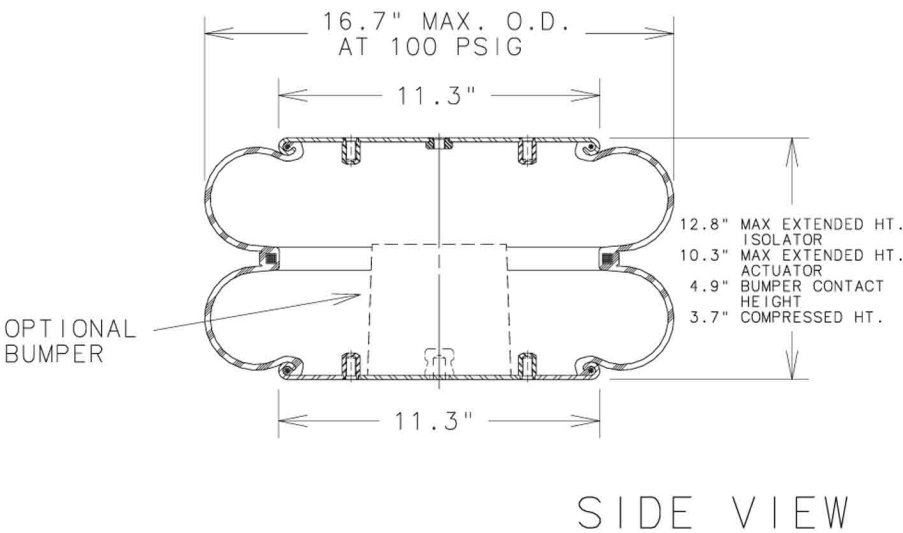
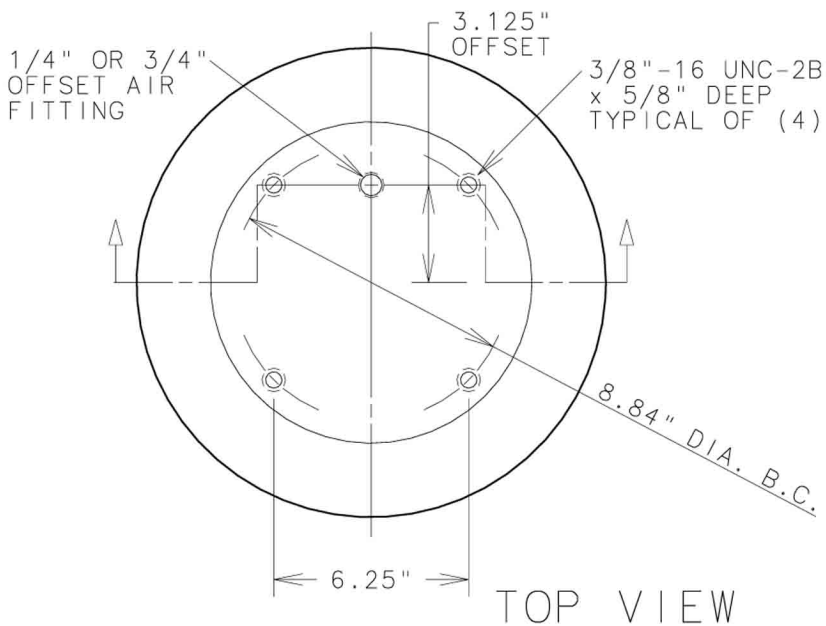


# 2B15-375



ASSEMBLY NUMBER	ELASTOMER	AIR FITTING	BUMPER INCLUDED
2B15-375	NAT. RUBBER	1/4"-18 NPTF OFFSET 3.125"	NO
2B15-376	NAT. RUBBER	1/4"-18 NPTF OFFSET 3.125"	YES
2B15-377	NAT. RUBBER	3/4"-14 NPTF OFFSET 3.125"	NO
2B15-378	NAT. RUBBER	3/4"-14 NPTF OFFSET 3.125"	YES
578923377 FLEXMEMBER ONLY	NAT. RUBBER	----	---

## SPRING FEATURES:

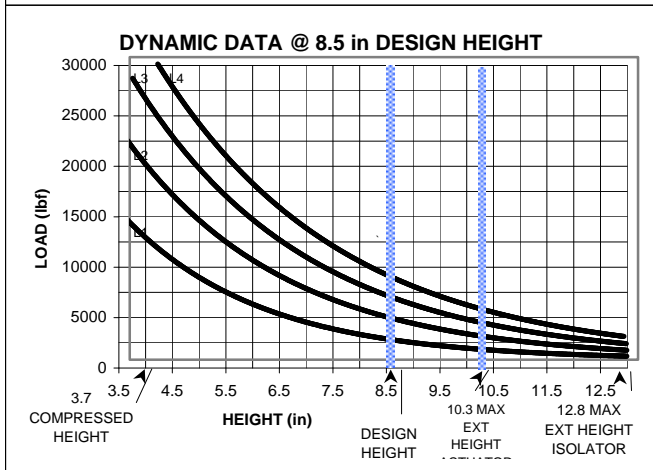
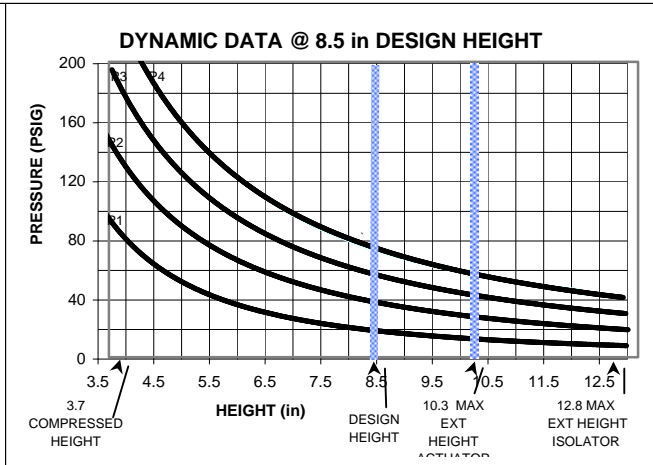
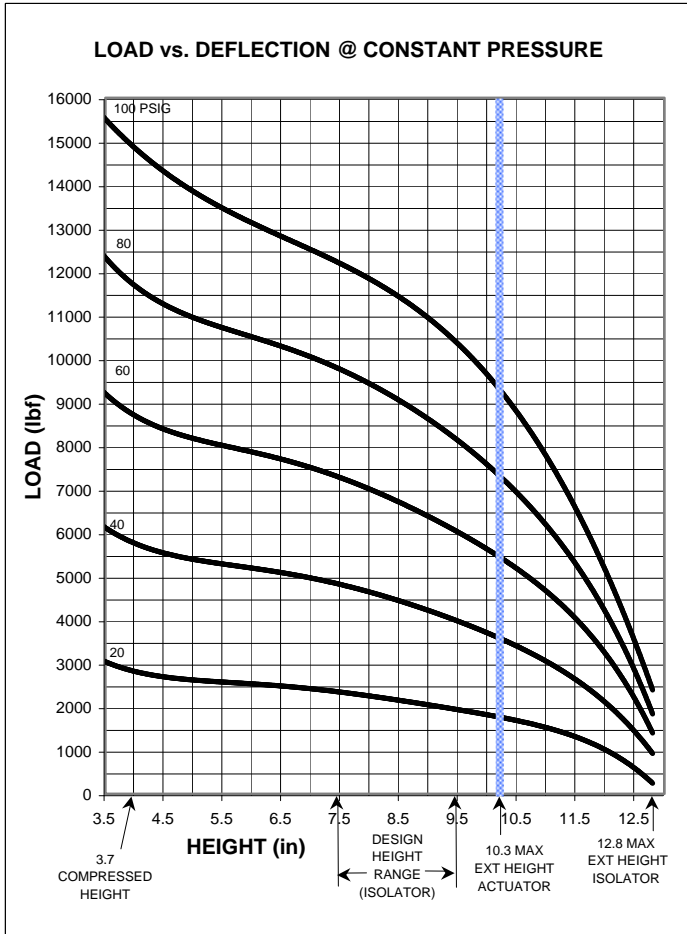
- LOAD RANGE (ISOLATOR).....2000-12300 lb
- DESIGN HEIGHT RANGE (ISOLATOR).....7.5-9.5 in
- USEABLE STROKE w/o BUMPER (ACTUATOR)....6.6 in
- USEABLE STROKE WITH BUMPER (ACTUATOR)...5.4 in
- ASSEMBLY WEIGHT.....19.5 lb
- TEMPERATURE RANGE\*.....
- FORCE TO COMPRESS AT 0 PSIG (APPROX.)....80 lb
- NOMINAL FREE STANDING HT. AT 0 PSIG.....4.2 in

\* NOTE: PRODUCT LIFE MAY BE SHORTENED WHEN OPERATING AT OR NEAR EXTREME TEMPERATURES. SEE TEMPERATURE RANGE GUIDELINES SECTION.

## RECOMMENDED MAX. TORQUE VALUES

3/8"-16 UNC BLIND TAP TYP. OF (8)	1/4"-18 UNC AIR FITTING	3/4"-14 UNC AIR FITTING
300 in-lb 25 ft-lb	240 in-lb 20 ft-lb	240 in-lb 20 ft-lb

NOTE: SEE GUIDELINES FOR PROPER APPLICATION OF THIS PRODUCT



**\*\*NOTE: MAXIMUM INFLATION PRESSURE IS 100 PSIG. MAXIMUM JOUNCE PRESSURE IS 200 PSIG. IF YOUR APPLICATION WILL EXCEED THESE LIMITS, CONSULT A GOODYEAR REPRESENTATIVE FOR APPLICATION ASSISTANCE.**

## CONSTANT PRESSURE CHARACTERISTICS

Assembly Height (in)	Volume @ 100 PSIG (in <sup>3</sup> )	Force (lb)				
		@ 20 PSIG	@ 40 PSIG	@ 60 PSIG	@ 80 PSIG	@ 100 PSIG
12.8	1615	300	1000	1500	2000	2500
11.5	1472	1300	2600	4000	5200	6500
10.5	1373	1700	3400	5200	7000	8800
10.3	1348	1800	3500	5400	7200	9000
9.5	1259	2000	4000	6100	8200	10300
8.5	1135	2300	4500	6800	9100	11400
7.5	1008	2500	4900	7300	9900	12300
6.5	875	2600	5100	7800	10500	13200
5.5	740	2700	5300	8200	11100	13700
4.5	605	2800	5500	8500	11400	14200
3.7	500	2900	5800	9000	12100	15100
3.5	475	3000	6000	9200	12400	15500

## DYNAMIC CHARACTERISTICS

Design Height (in)	Load (lb)	Pressure (PSIG)	Spring Rate (lb/in)	Natural Frequency	
				cpm	Hz
9.5	2000	20	660	108	1.80
	4000	39	1140	100	1.67
	6000	58	1610	97	1.62
	8000	78	2085	95	1.58
8.5	2000	18	680	109	1.82
	4000	35	1150	100	1.67
	6000	53	1605	97	1.62
	8000	70	2050	95	1.58
7.5	2000	16	765	116	1.93
	4000	33	1230	104	1.73
	6000	49	1690	100	1.67
	8000	65	2155	97	1.62
	12000	97	3090	95	1.58