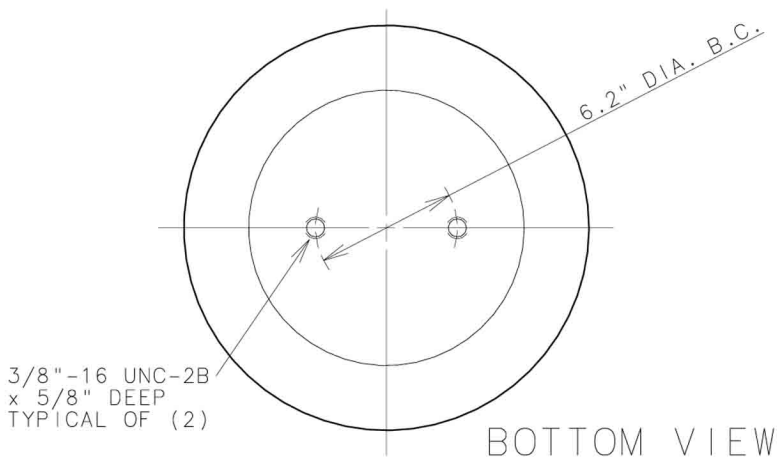
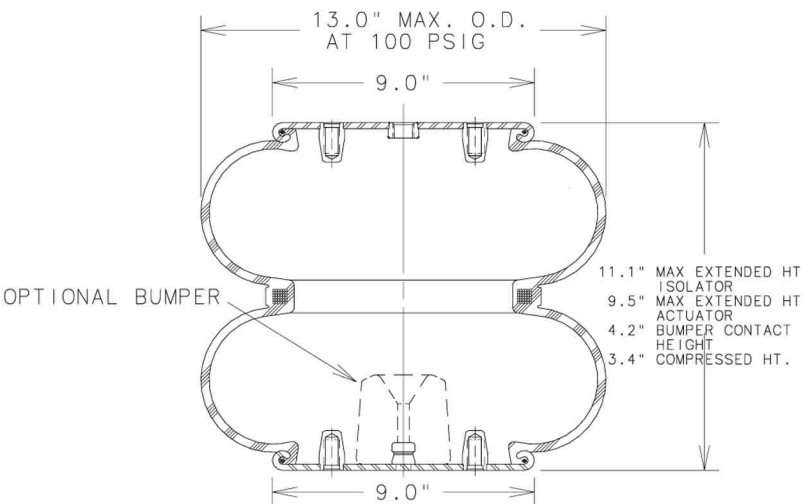
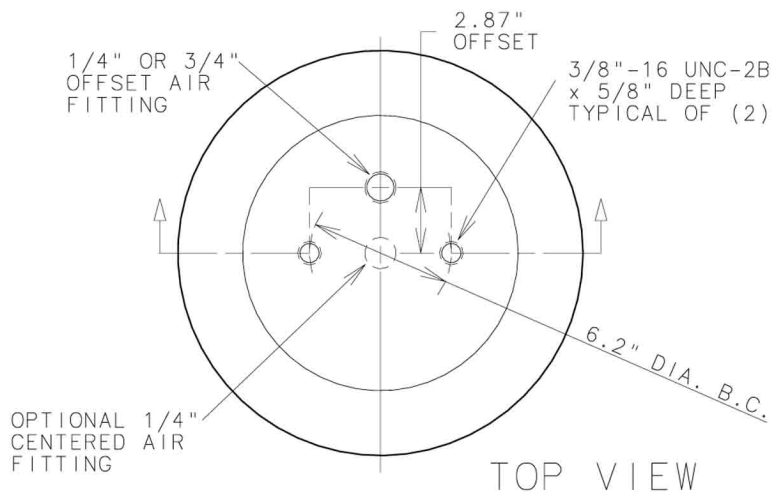


2B12-425



ASSEMBLY NUMBER	ELASTOMER	AIR FITTING	BUMPER INCLUDED
2B12-425	NAT. RUBBER	1/4"-18 NPTF OFFSET 2.87"	NO
2B12-429	NAT. RUBBER	3/4"-14 NPTF OFFSET 2.87"	NO
2B12-309	NAT. RUBBER	1/4"-18 NPTF OFFSET 2.87"	YES
2B12-318	NAT. RUBBER	3/4"-14 NPTF OFFSET 2.87"	YES
2B12-437	NAT. RUBBER	1/4"-18 NPTF CENTERED	NO
578923309 FLEXMEMBER ONLY	NAT. RUBBER	----	---

SPRING FEATURES:

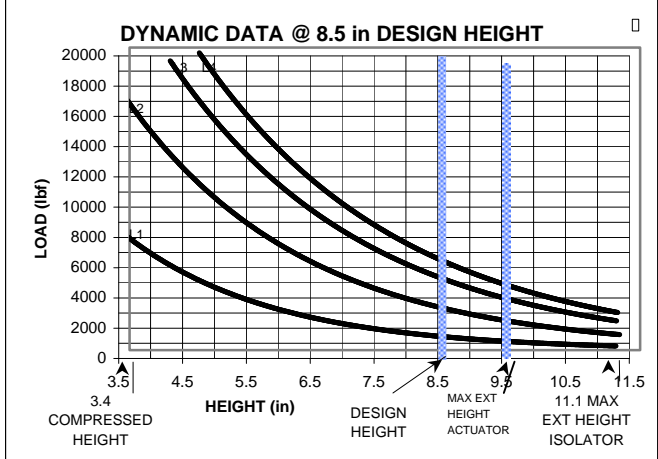
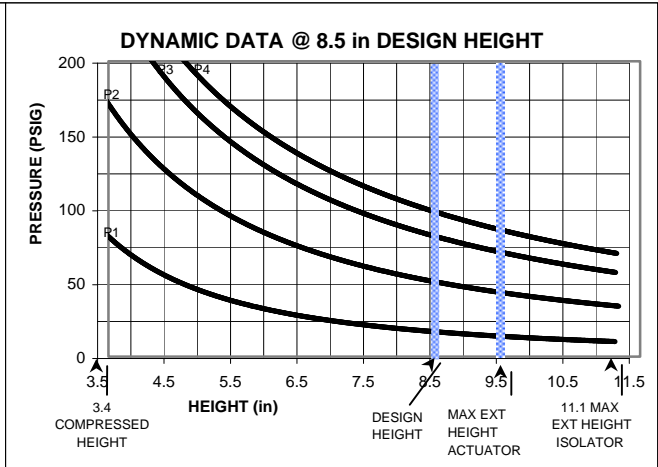
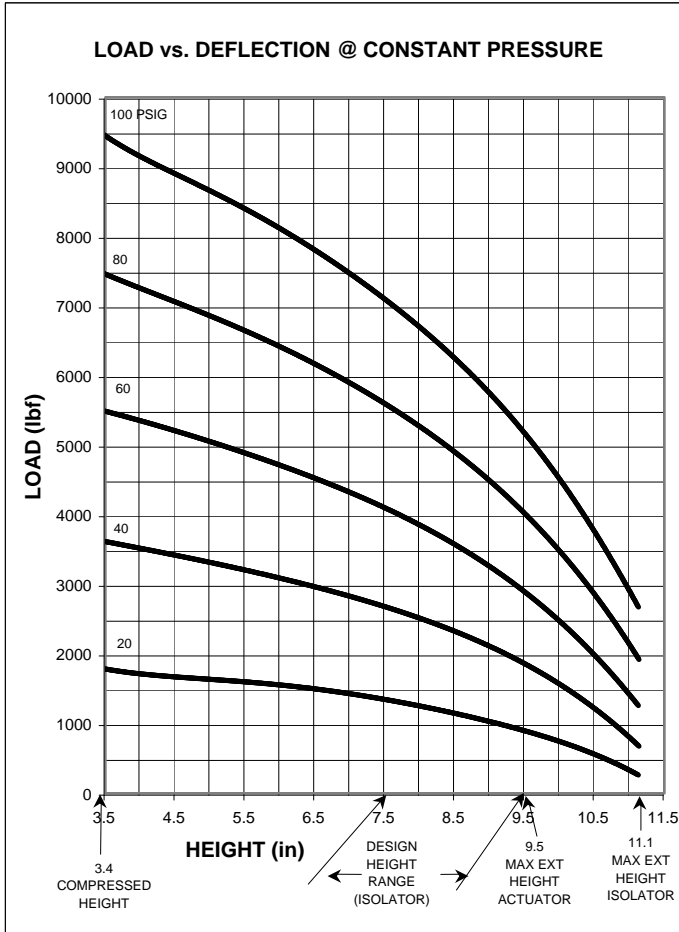
- LOAD RANGE (ISOLATOR).....900-7200 lb
- DESIGN HEIGHT RANGE (ISOLATOR).....7.5-9.5 in
- USEABLE STROKE w/o BUMPER (ACTUATOR)....6.1 in
- USEABLE STROKE WITH BUMPER (ACTUATOR)...5.3 in
- ASSEMBLY WEIGHT.....12.4 lb
- TEMPERATURE RANGE*.....
- FORCE TO COMPRESS AT 0 PSIG (APPROX.)...30 lb
- NOMINAL FREE STANDING HT. AT 0 PSIG....5.8 in

* NOTE: PRODUCT LIFE MAY BE SHORTENED WHEN OPERATING AT OR NEAR EXTREME TEMPERATURES. SEE TEMPERATURE RANGE GUIDELINES SECTION.

RECOMMENDED MAX. TORQUE VALUES

3/8"-16 UNC BLIND TAP TYP. OF (4)	1/4"-18 UNC AIR FITTING	3/4"-14 UNC AIR FITTING
300 in-lb 25 ft-lb	240 in-lb 20 ft-lb	240 in-lb 20 ft-lb

NOTE: SEE GUIDELINES FOR PROPER APPLICATION OF THIS PRODUCT



****NOTE: MAXIMUM INFLATION PRESSURE IS 100 PSIG. MAXIMUM JOUNCE PRESSURE IS 200 PSIG. IF YOUR APPLICATION WILL EXCEED THESE LIMITS, CONSULT A GOODYEAR REPRESENTATIVE FOR APPLICATION ASSISTANCE.**

CONSTANT PRESSURE CHARACTERISTICS

Assembly Height (in)	Volume @ 100 PSIG (in ³)	Force (lb)				
		@ 20 PSIG	@ 40 PSIG	@ 60 PSIG	@ 80 PSIG	@ 100 PSIG
11.1	821	240	660	1200	1900	2700
10.5	779	580	1200	2000	2900	3800
9.5	751	900	1900	2900	4000	5200
9.0	717	1000	2200	3300	4500	5800
8.5	684	1150	2300	3600	4900	6300
7.5	612	1350	2700	4100	5600	7200
6.5	536	1500	3100	4500	6200	7900
5.5	463	1600	3200	4900	6700	8400
4.5	377	1700	3400	5200	7100	9000
3.5	285	1700	3500	5500	7400	9400
3.4	277	1600	3400	5500	7400	9400

DYNAMIC CHARACTERISTICS

Design Height (in)	Load (lb)	Pressure (PSIG)	Spring Rate (lb/in)	Natural Frequency	
				cpm	Hz
9.5	1000	20	420	123	2.05
	3000	59	1095	114	1.90
	5000	95	1720	110	1.83
8.5	1000	17	395	118	1.97
	3000	49	965	106	1.77
	5000	79	1490	103	1.72
7.5	6000	95	1760	102	1.70
	1000	15	415	121	2.02
	3000	43	940	106	1.77
	5000	72	1480	102	1.70
7.5	6000	85	1735	101	1.68
	7000	99	1985	100	1.67