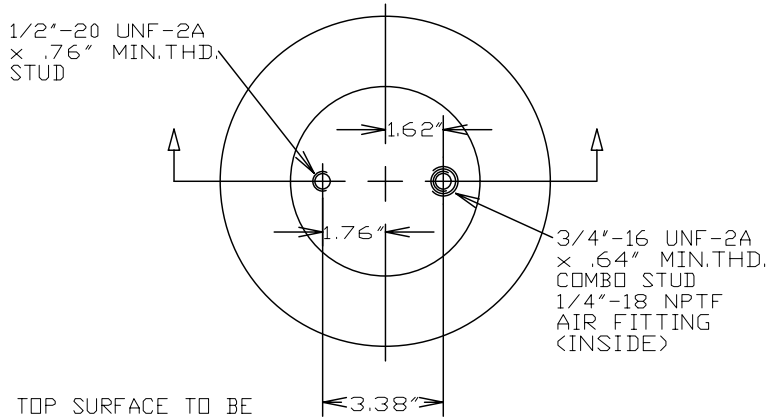
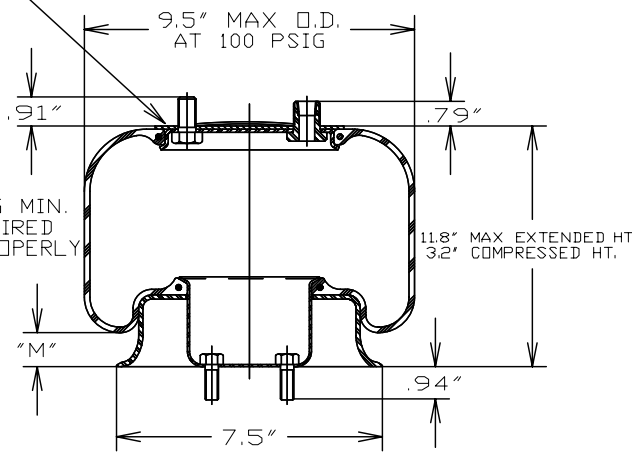


# 1R9-009



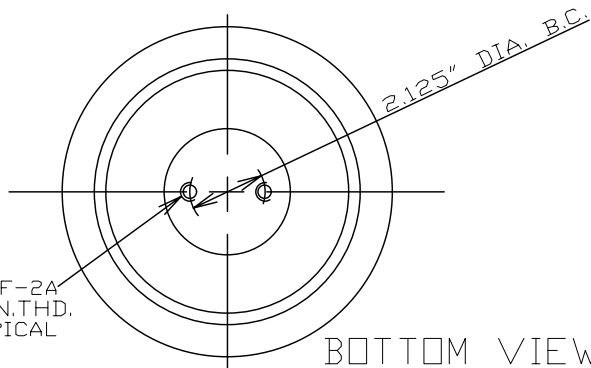
TOP VIEW

TOP SURFACE TO BE FULLY SUPPORTED BY 8.5" DIA. PLATE



SIDE VIEW

NOTE: 10 PSIG MIN. PRESSURE REQUIRED TO OPERATE PROPERLY



BOTTOM VIEW

ASSEMBLY NUMBER	ELASTOMER	AIR FITTING	BUMPER INCLUDED
1R9-009	NAT.RUBBER	1/4"-18 NPTF COMBO STUD	NO

## SPRING FEATURES:

- LOAD RANGE (ISOLATOR).....800-4400 lb
- DESIGN HEIGHT RANGE (ISOLATOR).....6.0-7.5 in
- USEABLE STROKE (ACTUATOR).....8.6 in
- ASSEMBLY WEIGHT.....6.0 lb
- TEMPERATURE RANGE:.....\*
- STEEL PISTON

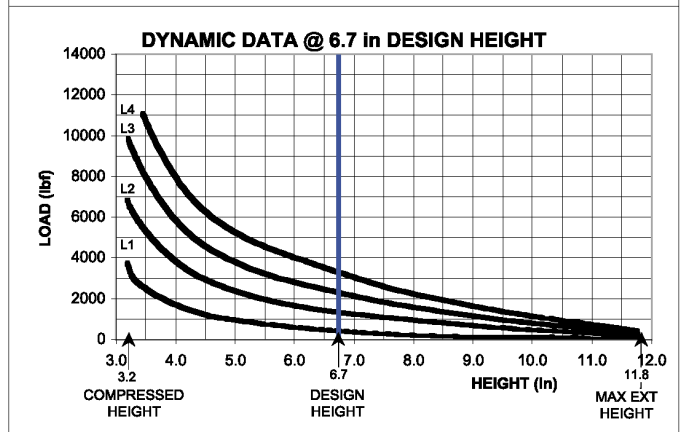
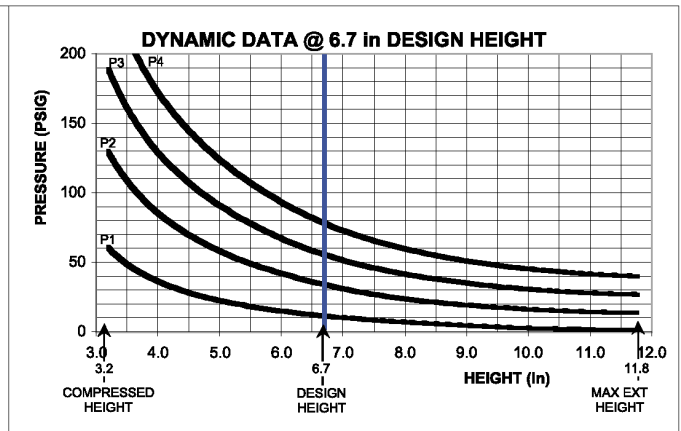
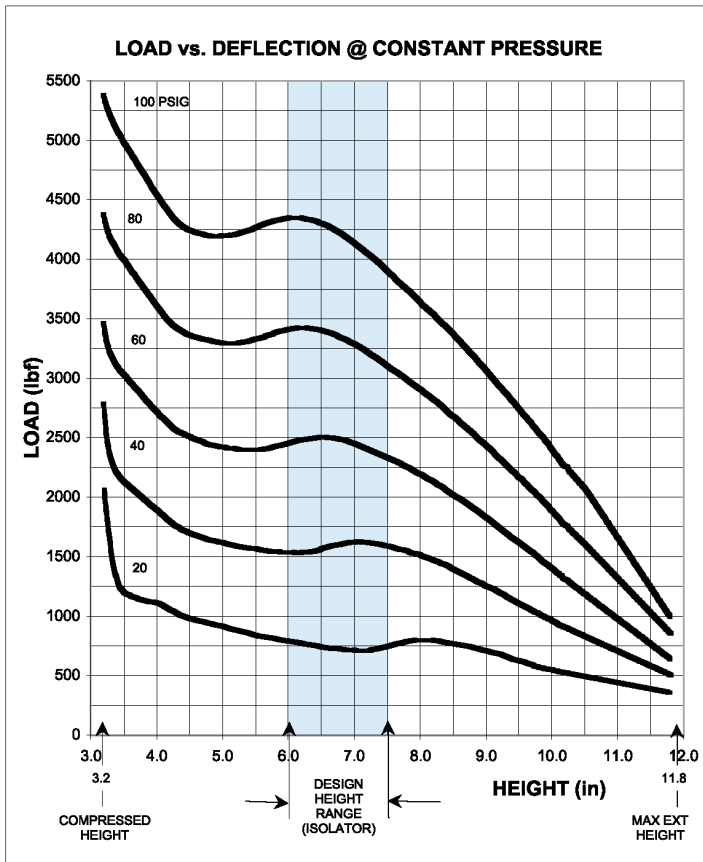
\* NOTE: PRODUCT LIFE MAY BE SHORTENED WHEN OPERATING AT OR NEAR EXTREME TEMPERATURES. SEE TEMPERATURE RANGE GUIDELINES SECTION.

## RECOMMENDED MAX. TORQUE VALUES

3/4"-16 UNF COMBO STUD	1/2"-20 UNF STUD TYP. OF (3)	1/4"-18 UNC AIR FITTING
600 in-lb 50 ft-lb	300 in-lb 25 ft-lb	240 in-lb 20 ft-lb

NOTE: SEE GUIDELINES FOR PROPER APPLICATION OF THIS PRODUCT

GRAPHS FOR REFERENCE ONLY - USE THE CHART DATA BELOW FOR DESIGN WORK



**\*\*NOTE: MAXIMUM INFLATION PRESSURE IS 100 PSIG. MAXIMUM JOUNCE PRESSURE IS 200 PSIG. IF YOUR APPLICATION WILL EXCEED THESE LIMITS, CONSULT A GOODYEAR REPRESENTATIVE FOR APPLICATION ASSISTANCE.**

## CONSTANT PRESSURE CHARACTERISTICS

Assembly Height (in)	Meniscus Height "M" Dim. @ 100 PSIG (in)	Volume @ 100 PSIG (in <sup>3</sup> )	Nominal Force (lb)				
			@ 20 PSIG	@ 40 PSIG	@ 60 PSIG	@ 80 PSIG	@ 100 PSIG
11.8	2.5	436	180	330	500	700	900
10.5	2.3	388	460	750	1150	1500	2000
9.5	2.1	358	640	1100	1600	2100	2700
8.5	2.0	325	800	1400	2000	2700	3300
7.5	1.9	287	800	1600	2400	3100	3900
6.7	1.8	257	700	1700	2600	3400	4300
6.0	1.7	228	800	1500	2500	3500	4400
5.0	0.5	181	900	1600	2400	3300	4400
4.0	0.9	135	1150	1900	2700	3600	4600
3.2	0.0	100	1850	2600	3400	4400	5300

## DYNAMIC CHARACTERISTICS

Design Height (in)	Load (lb)	Pressure (PSIG)	Spring Rate (lb/in)	Natural Frequency	
				cpm	Hz
7.5	500	14	185	114	1.90
	1500	37	455	103	1.72
	2500	62	790	106	1.77
	3500	87	1120	106	1.77
6.7	500	13	230	128	2.13
	1500	36	430	101	1.68
	2500	58	740	102	1.70
6.0	3500	81	1040	102	1.70
	500	11	280	140	2.33
	1500	39	525	111	1.85
	2500	61	685	98	1.63
	3500	82	920	96	1.60