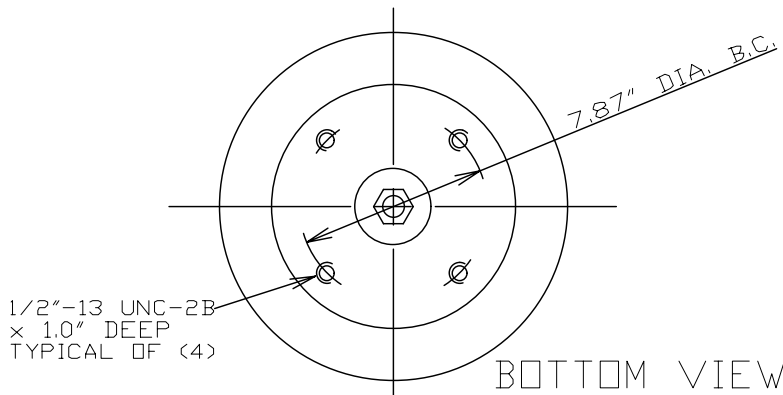
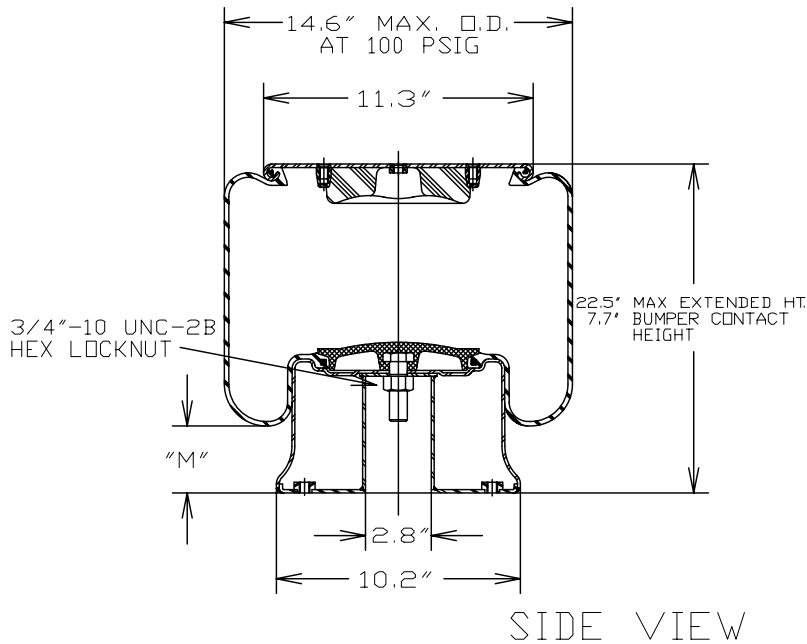
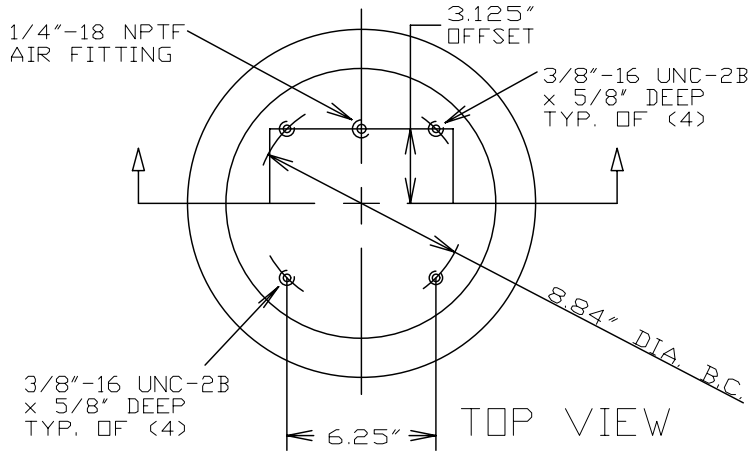


1R14-018



ASSEMBLY NUMBER	ELASTOMER	AIR FITTING	BUMPER INCLUDED
1R14-018	NAT.RUBBER	1/4"-18 NPTF OFFSET 3.125"	YES

SPRING FEATURES:

- LOAD RANGE (ISOLATOR).....1500-8500 lb
- DESIGN HEIGHT RANGE (ISOLATOR)....11.0-16.5 in
- USEABLE STROKE (ACTUATOR).....14.8 in
- ASSEMBLY WEIGHT.....26.9 lb
- TEMPERATURE RANGE*.....
- STEEL PISTON

* NOTE: PRODUCT LIFE MAY BE SHORTENED WHEN OPERATING AT OR NEAR EXTREME TEMPERATURES. SEE TEMPERATURE RANGE GUIDELINES SECTION.

OTHER OPTIONS:

- METRIC ATTACHMENTS

UPPER BEAD PLATE:

- ALTERNATE BOLT LENGTHS AND SPACINGS
- ALTERNATE AIR FITTING SIZES AND LOCATIONS
- NO BUMPER OR ALTERNATE BUMPER

PISTON:

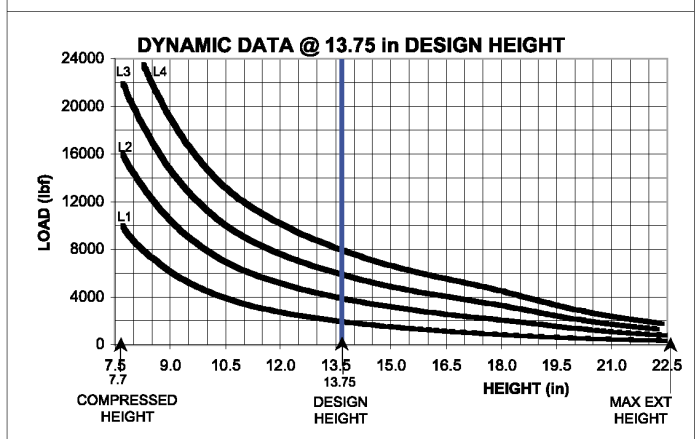
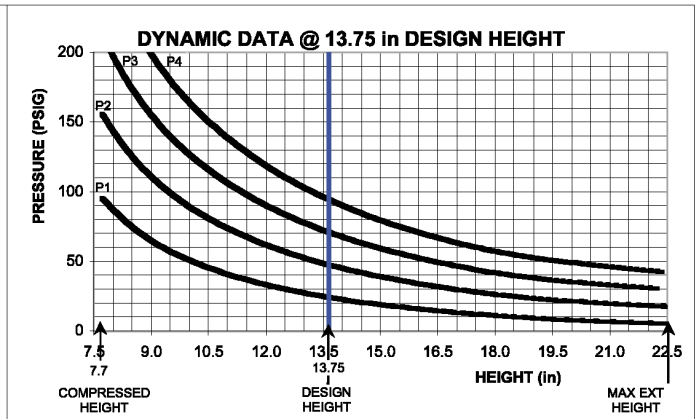
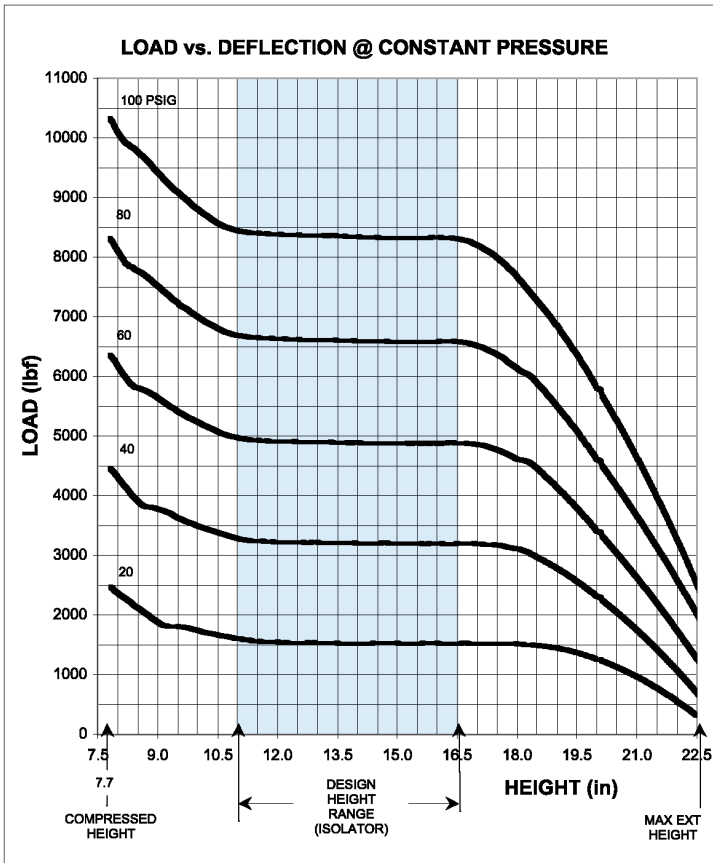
- ALTERNATE HEIGHTS
- ALUMINUM PISTON

RECOMMENDED MAX. TORQUE VALUES

3/8"-16 UNC BLIND TAP TYP. OF (4)	1/2"-13 UNC BLIND TAP TYP. OF (4)	1/4"-18 UNC AIR FITTING	3/4"-10 UNC HEX LOCKNUT
300 in-lb 25 ft-lb	600 in-lb 50 ft-lb	240 in-lb 20 ft-lb	900 in-lb 75 ft-lb

NOTE: SEE GUIDELINES FOR PROPER APPLICATION OF THIS PRODUCT

GRAPHS FOR REFERENCE ONLY - USE THE CHART DATA BELOW FOR DESIGN WORK



****NOTE: MAXIMUM INFLATION PRESSURE IS 100 PSIG. MAXIMUM JOUNCE PRESSURE IS 200 PSIG. IF YOUR APPLICATION WILL EXCEED THESE LIMITS, CONSULT A GOODYEAR REPRESENTATIVE FOR APPLICATION ASSISTANCE.**

CONSTANT PRESSURE CHARACTERISTICS

Assembly Height (in)	Meniscus Height "M" Dim. @ 100 PSIG (in)	Volume @ 100 PSIG (in ³)	Nominal Force (lb)				
			@ 20 PSIG	@ 40 PSIG	@ 60 PSIG	@ 80 PSIG	@ 100 PSIG
22.5	5.7	1750	300	680	1250	2000	2500
20.0	5.7	1529	1250	2300	3400	4600	5800
18.0	5.4	1355	1500	3100	4700	6200	7600
16.5	4.5	1208	1500	3100	4900	6500	8400
15.0	3.8	1064	1600	3100	4900	6500	8400
13.75	3.0	950	1600	3100	4900	6600	8400
12.0	1.9	799	1600	3200	5000	6600	8400
11.0	1.3	715	1600	3300	5000	6600	8500
9.0	0.4	554	1800	3800	5700	7500	9500
7.7	0.0	409	2400	4700	6600	8300	10300

DYNAMIC CHARACTERISTICS

Design Height (in)	Load (lb)	Pressure (PSIG)	Spring Rate (lb/in)	Natural Frequency	
				cpm	Hz
16.5	2000	24	320	75	1.25
	4000	49	540	69	1.15
	6000	72	755	94	1.57
	8000	94	970	66	1.10
13.75	2000	25	385	82	1.37
	4000	48	625	74	1.23
	6000	72	875	72	1.20
	8000	95	1105	70	1.17
11.0	2000	24	640	106	1.77
	4000	49	970	92	1.53
	6000	72	1260	86	1.43
	8000	95	1550	83	1.38