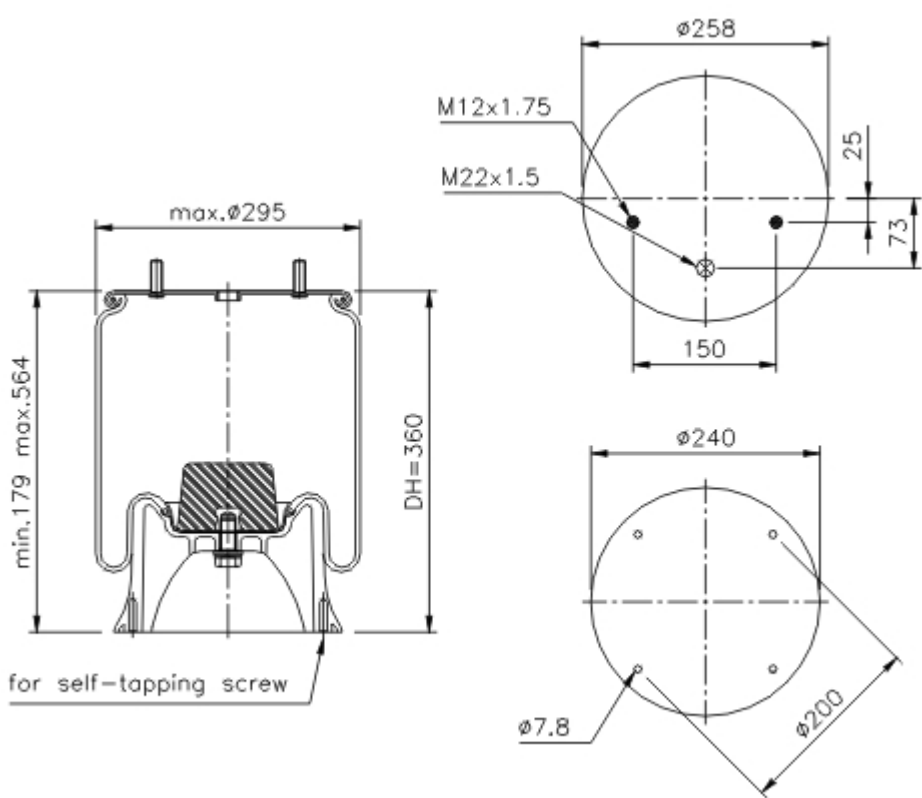


[PRINT](#)



Goodyear Part No.: **1R11-751**
 Flex Member No.: **566-22-3-526**



- Mounting Stud
- ⊗ Air Fitting
- ◐ Tapped hole
- ⊗ Combination Stud/ Air Fitting

OEM

Manufacturer		
Model	OEM	F/R
SAF AIR SUSPENSION		
	3.229.0029.00	

Competitor

Manufacturer	AirSpring style
CFGomma (Pirelli)	1T 300-37 206340

Springride

D11B35

[PRINT](#)