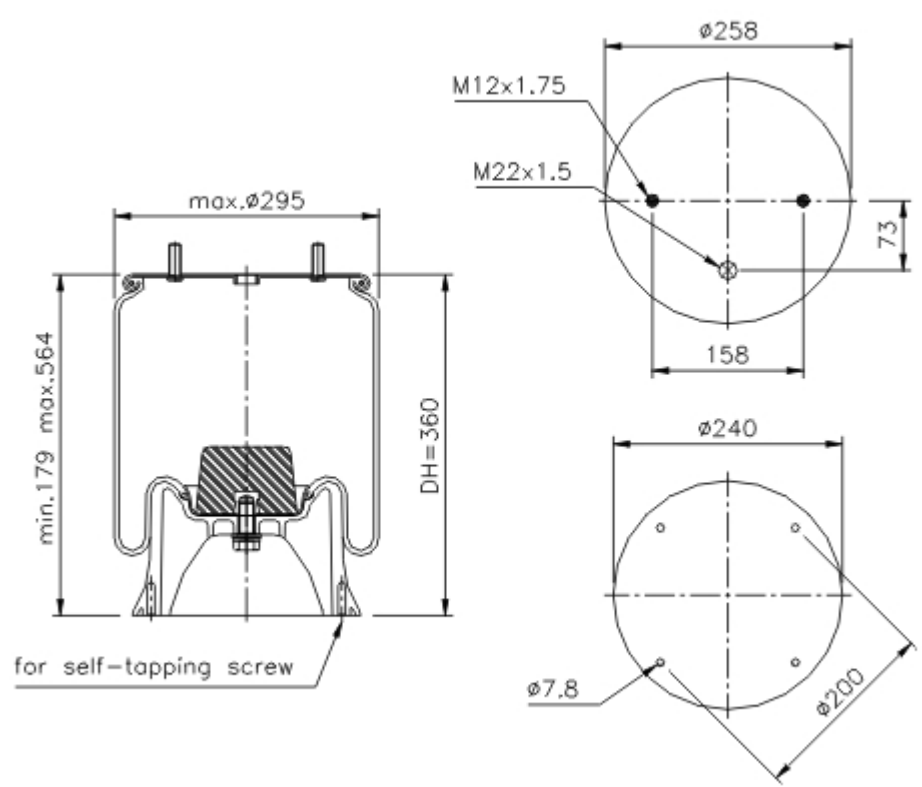


[PRINT](#)



Goodyear Part No.: **1R11-750**  
 Flex Member No.: **566-22-3-526**



- Mounting Stud
- Tapped hole
- X Air Fitting
- X Combination Stud/ Air Fitting

**OEM**

<b>Manufacturer</b>		
<b>Model</b>	<b>OEM</b>	<b>F/R</b>
<b>SAF AIR SUSPENSION</b>		
E5	2.229.0007.00	
E5	3.229.0007.02	

**Competitor**

<b>Manufacturer</b>	<b>AirSpring style</b>
---------------------	------------------------

CFGomma (Pirelli)	1T 300-37 203715
Springride	D11B34

[PRINT](#)