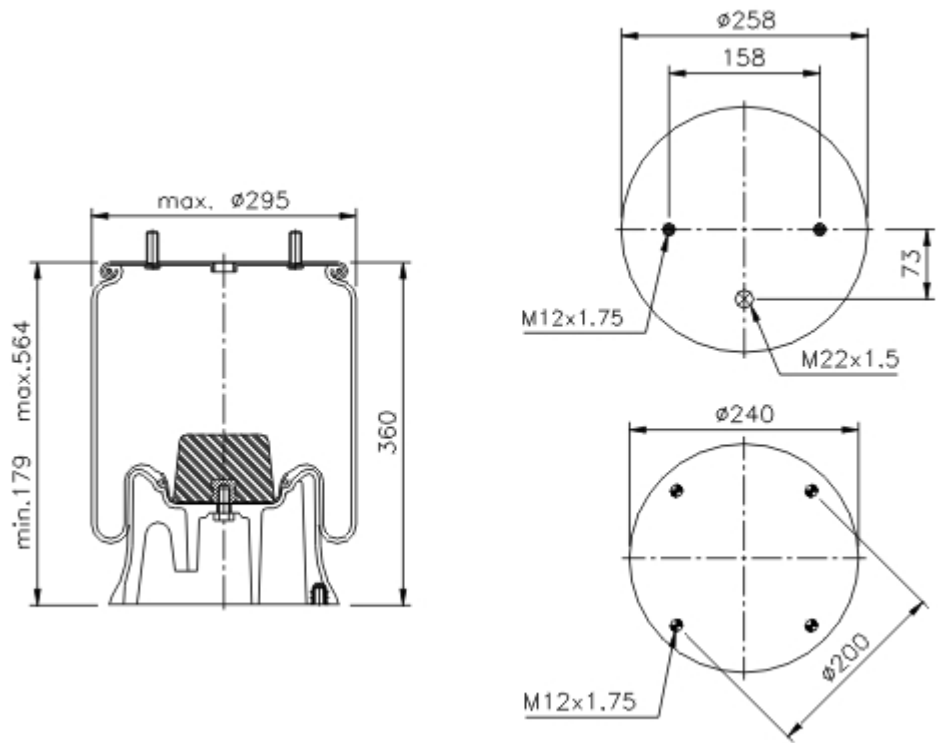


[PRINT](#)



Goodyear Part No.: **1R11-713**
 Flex Member No.: **566-22-3-503**



- Mounting Stud
- Tapped hole
- Air Fitting
- Combination Stud/ Air Fitting

OEM

Manufacturer		
Model	OEM	F/R
SAF AIR SUSPENSION		
AR 416S	3.229.0007.02	
AR 418	3.229.0007.02	

Competitor

Manufacturer	AirSpring style
---------------------	------------------------

CFGomma (Pirelli)	1T 300-37 203715
Contitech	4004 N P03 (comp)
Springride	D12B13
Phoenix	1DK22E-8

[PRINT](#)