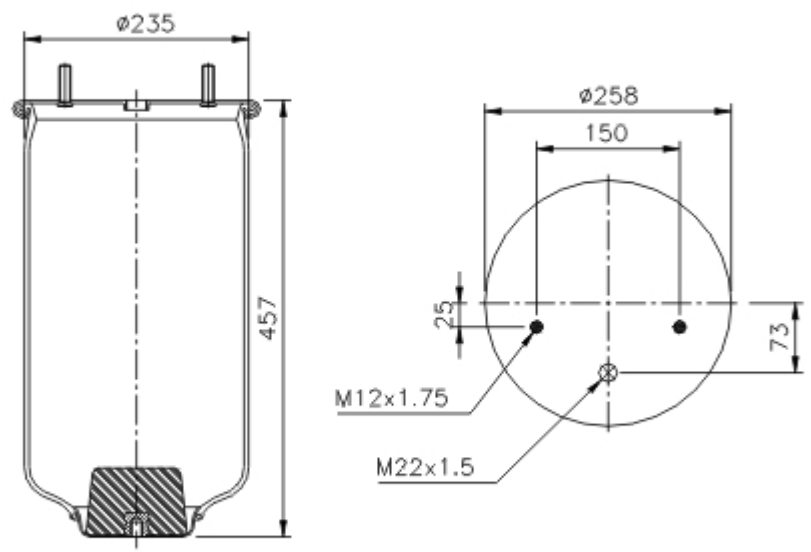


[PRINT](#)



Goodyear Part No.: **1R11-709**
 Flex Member No.: **566-22-3-503**



- Mounting Stud
- Tapped hole
- X Air Fitting
- X Combination Stud/ Air Fitting

OEM

Manufacturer		
Model	OEM	F/R
SAF AIR SUSPENSION		
	3.229.0033.00	

Competitor

Manufacturer	AirSpring style
Contitech	4022 N P02

Firestone	1T17BS-6 M58 0756
Taurus	UR 725-28T

[PRINT](#)