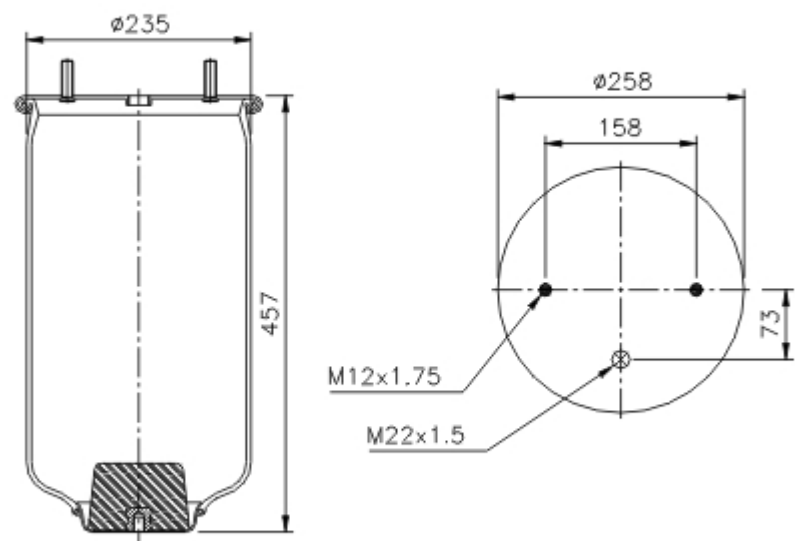


[PRINT](#)



Goodyear Part No.: **1R11-705**

Flex Member No.: **566-22-3-503**



- Mounting Stud
- ⊗ Air Fitting
- ◐ Tapped hole
- ⊗ Combination Stud/ Air Fitting

OEM

Manufacturer		
Model	OEM	F/R
SAF AIR SUSPENSION		
AR 414E	3.229.0007.02	
E5 service assembly	n/a	

Competitor

Manufacturer	AirSpring style
---------------------	------------------------

Contitech	4004 N P02
Springride	D12U13
Taurus	UR 725-27T

[PRINT](#)