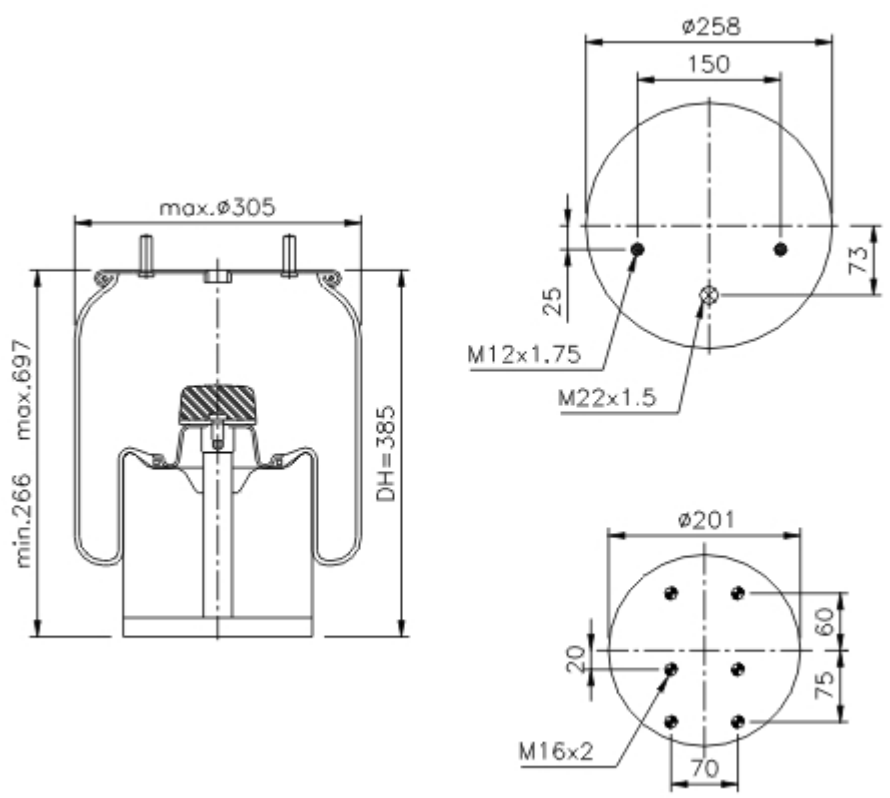


[PRINT](#)



Goodyear Part No.: **1R11-702**
 Flex Member No.: **566-22-3-500**



OEM

Manufacturer		
Model	OEM	F/R
BPW		
BPW 30	05.429.40.52.1	
BPW 30	05.429.40.64.1	
BPW 30	05.429.41.24.1	

Competitor

Manufacturer	AirSpring style
CFGomma (Pirelli)	1TC 300-36 205170
Springride	D11B38

[PRINT](#)