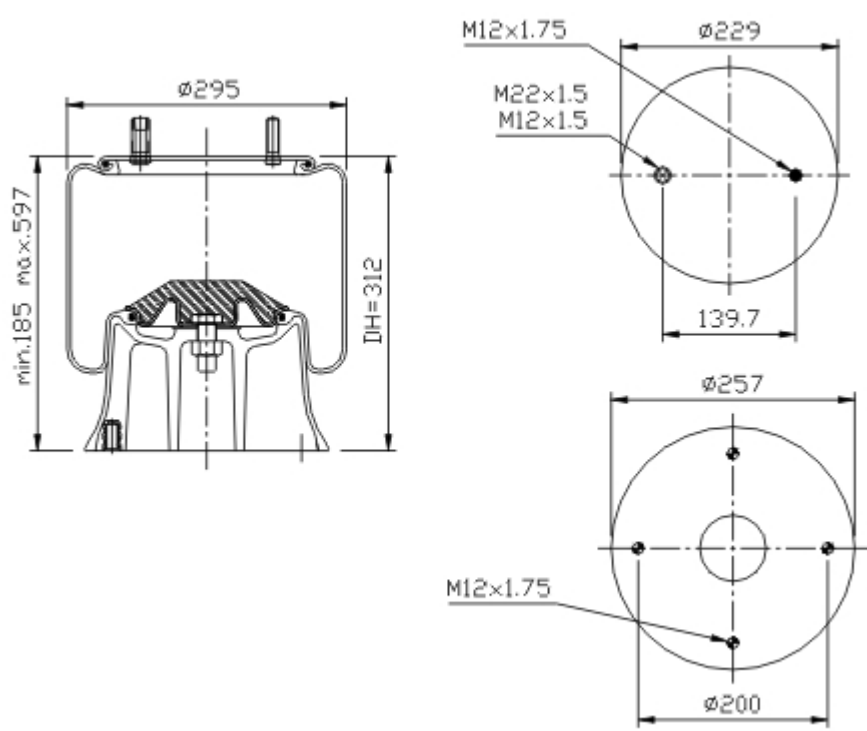


[PRINT](#)



Goodyear Part No.: **1R11-165**
 Flex Member No.: **566-22-3-042**



- Mounting Stud
- Tapped hole
- Air Fitting
- Combination Stud/ Air Fitting

OEM

Manufacturer		
Model	OEM	F/R
HENDRICKSON		
	NS 500954	

Competitor

Manufacturer	AirSpring style
---------------------	------------------------

[PRINT](#)