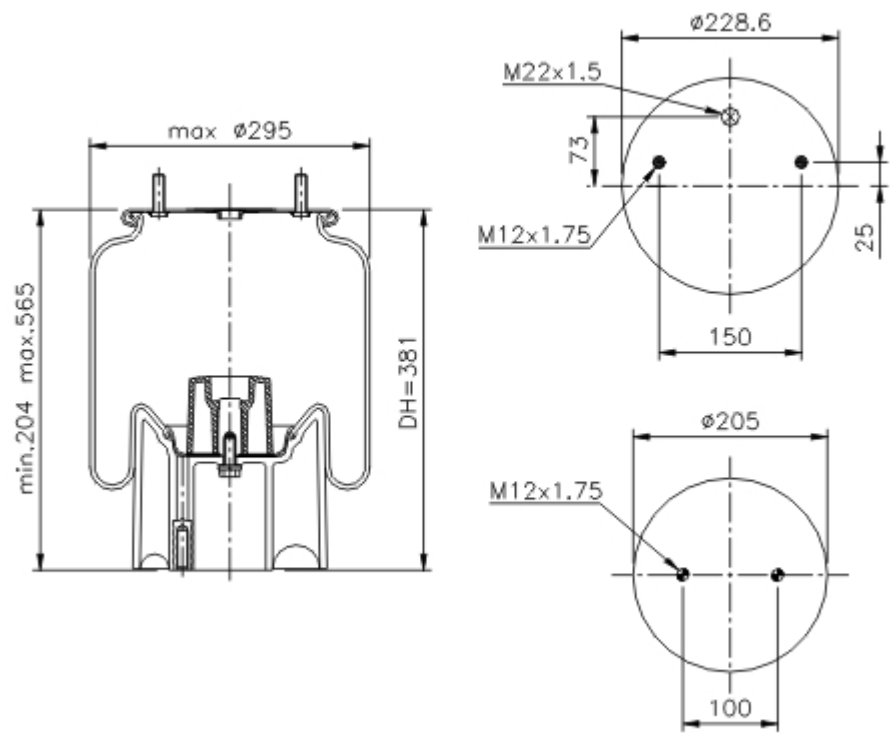


[PRINT](#)



Goodyear Part No.: **1R11-111**
 Flex Member No.: **566-22-3-521**



- Mounting Stud
- ⊗ Air Fitting
- ⊙ Tapped hole
- ⊗ Combination Stud/ Air Fitting

OEM

Manufacturer		
Model	OEM	F/R
MERCEDES AXLES		
	A 946 328 1401	
MERITOR (ROR)		
	21221307	
WEWELER		
	US 87 EURO F	

Competitor

Manufacturer	AirSpring style
Contitech	4157 N P04
Springride	D12B18
Firestone	1T15MPW-7 M58 6297
Phoenix	1DK21A-8
Taurus	KR 915-54

[PRINT](#)