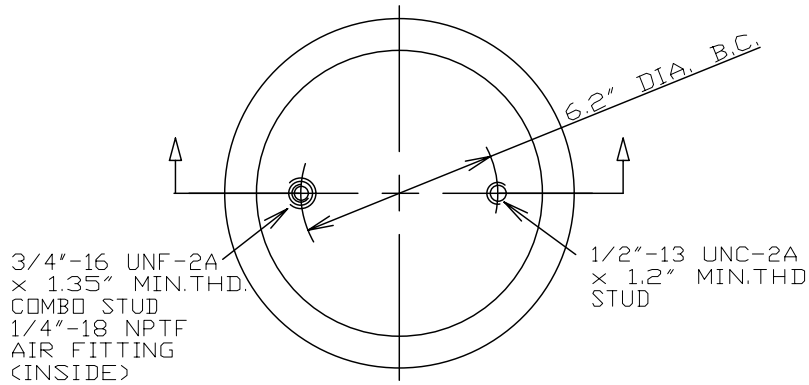
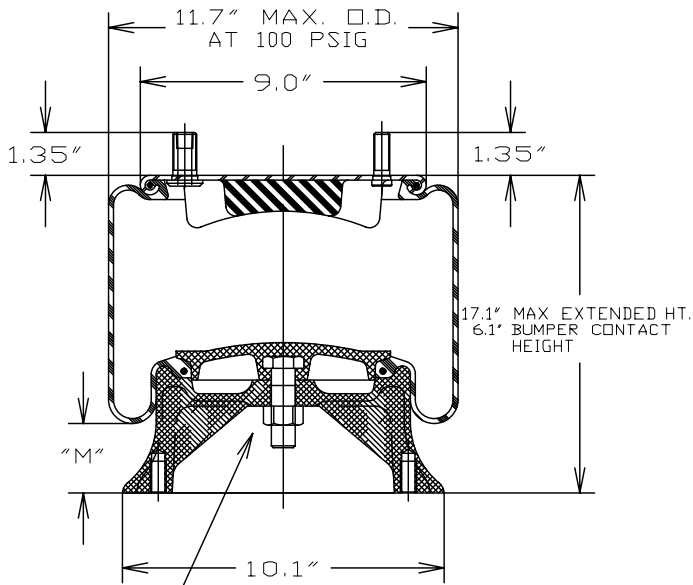


1R11-039

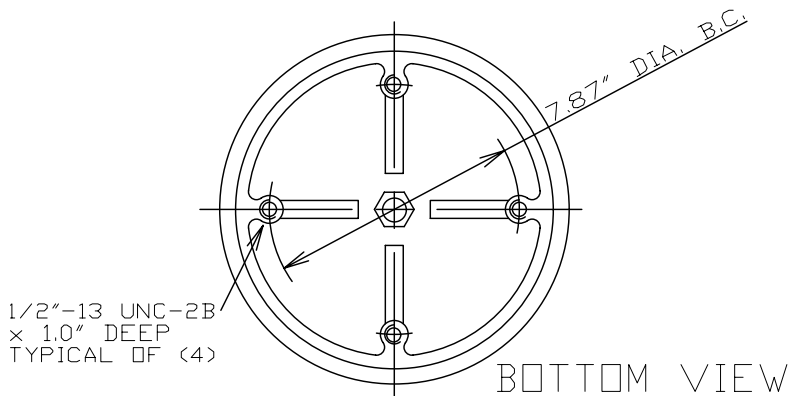


TOP VIEW



3/4"-10 UNC-2B
HEX LOCKNUT

SIDE VIEW



BOTTOM VIEW

ASSEMBLY NUMBER	ELASTOMER	AIR FITTING	BUMPER INCLUDED
1R11-039	NAT. RUBBER	1/4"-18 NPTF COMBO STUD	YES

SPRING FEATURES:

- LOAD RANGE (ISOLATOR).....1300-7000 lb
- DESIGN HEIGHT RANGE (ISOLATOR).....8.0-12.0 in
- USEABLE STROKE (ACTUATOR).....11.0 in
- ASSEMBLY WEIGHT.....17.0 lb
- TEMPERATURE RANGE*.....
- ALUMINUM PISTON

* NOTE: PRODUCT LIFE MAY BE SHORTENED WHEN OPERATING AT OR NEAR EXTREME TEMPERATURES. SEE TEMPERATURE RANGE GUIDELINES SECTION.

OTHER OPTIONS:

- WINGPRENE ELASTOMER
- METRIC ATTACHMENTS

UPPER BEAD PLATE:

- ALTERNATE BOLT LENGTHS AND SPACINGS
- ALTERNATE AIR FITTING SIZES AND LOCATIONS
- NO BUMPER OR ALTERNATE BUMPER

PISTON:

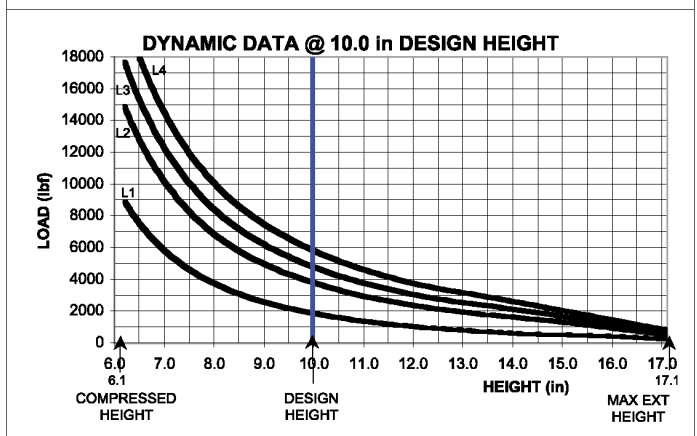
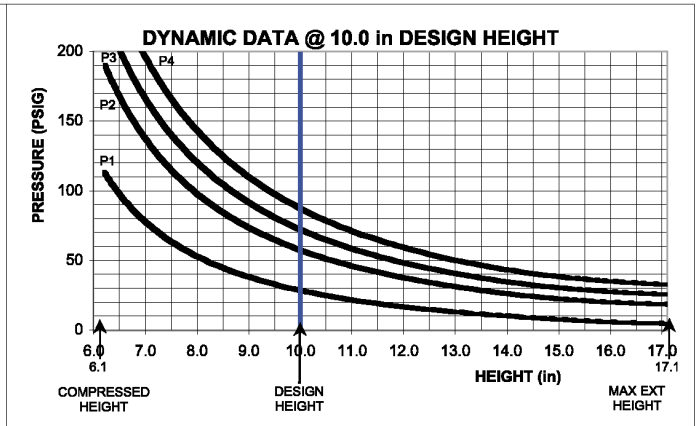
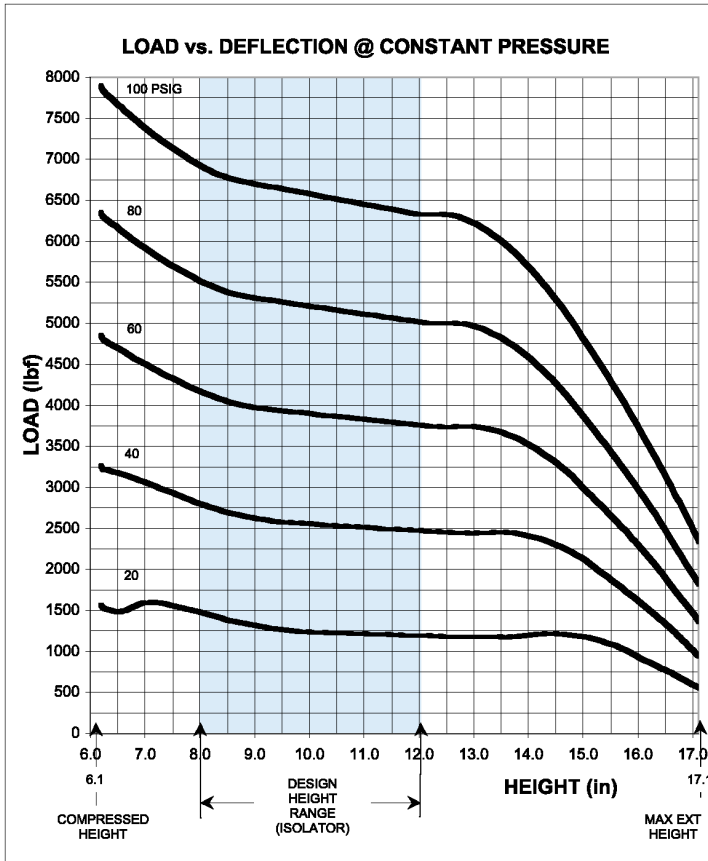
- ALTERNATE HEIGHTS
- STEEL PISTON WITH GREATER EFFECTIVE AREA

RECOMMENDED MAX. TORQUE VALUES

3/4"-16 UNF COMBO STUD	1/2"-13 UNC TOP STUD	1/2"-13 UNC BLIND TAP TYP. OF (4)	1/4"-18 UNC AIR FITTING
600 in-lb 50 ft-lb	300 in-lb 25 ft-lb	600 in-lb 50 ft-lb	240 in-lb 20 ft-lb
3/4"-10 UNC HEX LOCKNUT			
900 in-lb 75 ft-lb			

NOTE: SEE GUIDELINES FOR PROPER APPLICATION OF THIS PRODUCT

GRAPHS FOR REFERENCE ONLY - USE THE CHART DATA BELOW FOR DESIGN WORK



****NOTE: MAXIMUM INFLATION PRESSURE IS 100 PSIG. MAXIMUM JOUNCE PRESSURE IS 200 PSIG. IF YOUR APPLICATION WILL EXCEED THESE LIMITS, CONSULT A GOODYEAR REPRESENTATIVE FOR APPLICATION ASSISTANCE.**

CONSTANT PRESSURE CHARACTERISTICS

Assembly Height (in)	Meniscus Height "M" Dim. @ 100 PSIG (in)	Volume @ 100 PSIG (in ³)	Nominal Force (lb)				
			@ 20 PSIG	@ 40 PSIG	@ 60 PSIG	@ 80 PSIG	@ 100 PSIG
17.1	4.8	936	560	900	1350	1800	2300
16.0	4.6	887	950	1600	2300	3000	3700
15.0	4.3	830	1200	2100	3000	3800	4800
14.0	4.1	762	1250	2400	3500	4600	5700
13.0	3.7	686	1250	2500	3800	5100	6300
12.0	3.3	609	1300	2500	3800	5100	6500
10.0	2.1	463	1300	2600	4000	5300	6700
8.0	1.1	326	1500	2800	4200	5600	7000
7.0	0.6	263	1700	3100	4600	6000	7500
6.1	0.4	212	1500	3300	4900	6300	7900

DYNAMIC CHARACTERISTICS

Design Height (in)	Load (lb)	Pressure (PSIG)	Spring Rate (lb/in)	Natural Frequency	
				cpm	Hz
12.0	2000	31	455	90	1.50
	4000	62	765	82	1.37
	5000	78	910	80	1.33
	6000	93	1020	78	1.30
10.0	2000	30	605	103	1.72
	4000	60	1025	95	1.58
	5000	75	1245	94	1.57
	6000	90	1430	92	1.53
8.0	2000	27	920	127	2.12
	4000	57	1535	116	1.93
	5000	72	1865	114	1.90
	6000	85	2110	112	1.87
	7000	99	2435	111	1.85