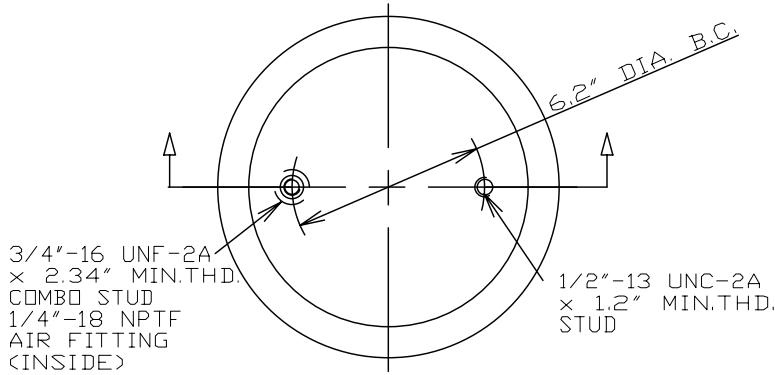
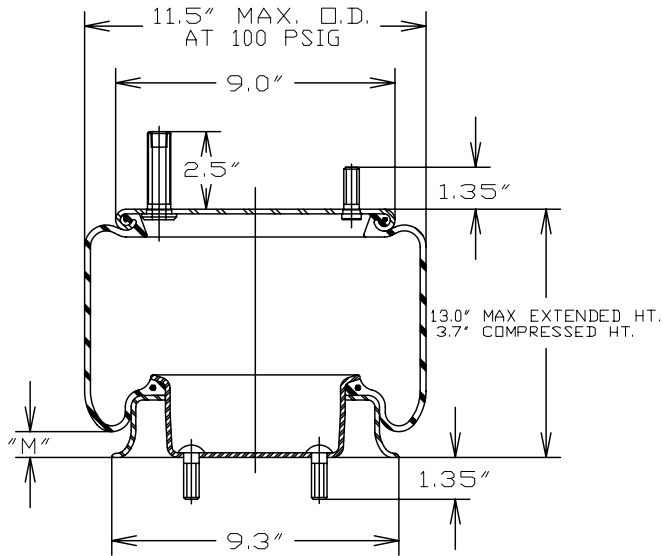


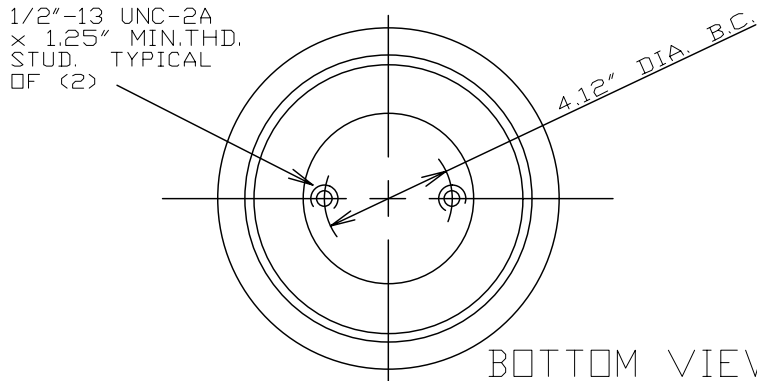
1R11-028



TOP VIEW



SIDE VIEW



BOTTOM VIEW

ASSEMBLY NUMBER	ELASTOMER	AIR FITTING	BUMPER INCLUDED
1R11-028	NAT.RUBBER	1/4"-18 NPTF COMBO STUD	NO

SPRING FEATURES:

- LOAD RANGE (ISOLATOR).....1100-6700 lb
- DESIGN HEIGHT RANGE (ISOLATOR)....6.0-10.0 in
- USEABLE STROKE (ACTUATOR).....9.3 in
- ASSEMBLY WEIGHT.....12.8 lb
- TEMPERATURE RANGE*.....
- STEEL PISTON

* NOTE: PRODUCT LIFE MAY BE SHORTENED WHEN OPERATING AT OR NEAR EXTREME TEMPERATURES. SEE TEMPERATURE RANGE GUIDELINES SECTION.

OTHER OPTIONS:

- METRIC ATTACHMENTS

UPPER BEAD PLATE:

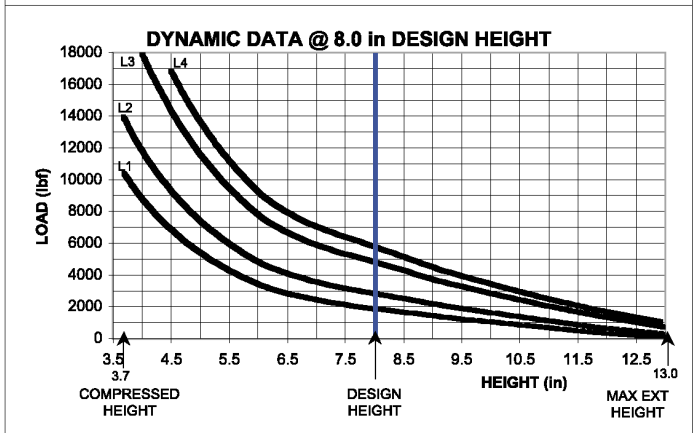
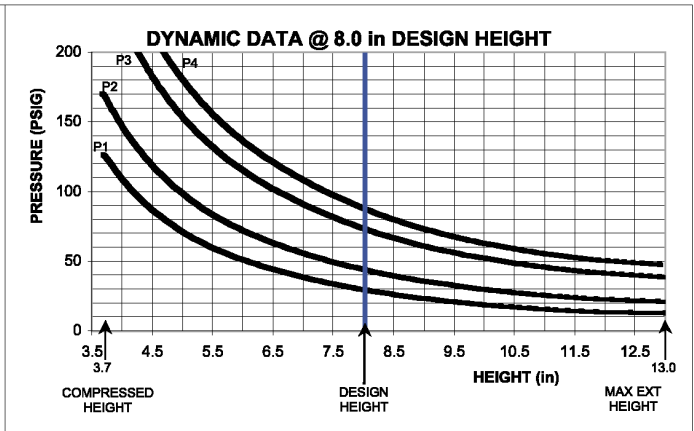
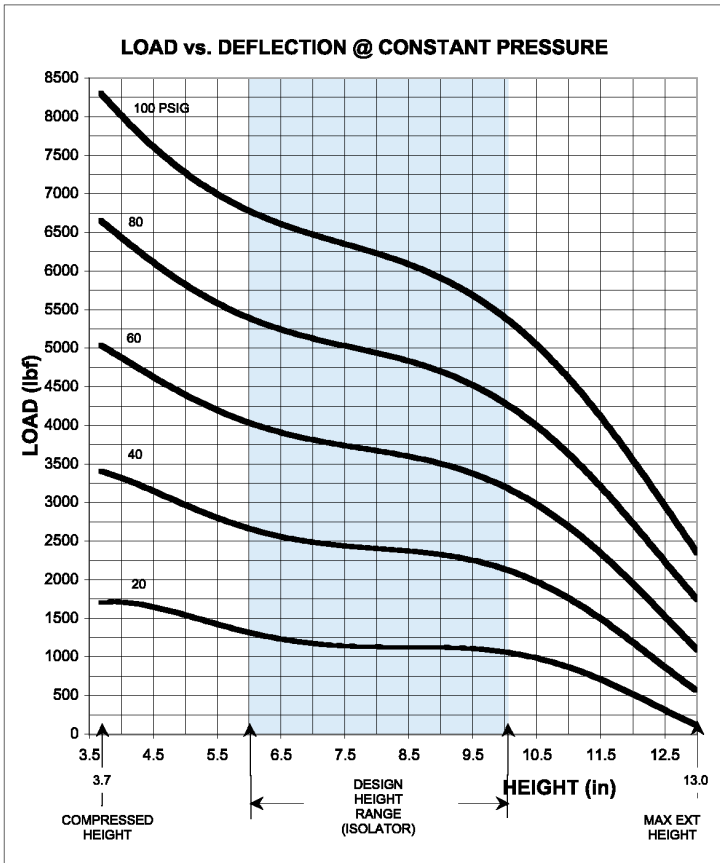
- ALTERNATE BOLT LENGTHS AND SPACINGS
- ALTERNATE AIR FITTING SIZES AND LOCATIONS
- VARIOUS HEIGHT BUMPERS

RECOMMENDED MAX. TORQUE VALUES

3/4"-16 UNF COMBO STUD	1/2"-13 UNC TOP STUD	1/2"-13 UNC BOTTOM STUD TYP.OF (2)	1/4"-18 UNC AIR FITTING
600 in-lb 50 ft-lb	300 in-lb 25 ft-lb	300 in-lb 25 ft-lb	240 in-lb 20 ft-lb

NOTE: SEE GUIDELINES FOR PROPER APPLICATION OF THIS PRODUCT

GRAPHS FOR REFERENCE ONLY - USE THE CHART DATA BELOW FOR DESIGN WORK



**NOTE: MAXIMUM INFLATION PRESSURE IS 100 PSIG. MAXIMUM JOUNCE PRESSURE IS 200 PSIG. IF YOUR APPLICATION WILL EXCEED THESE LIMITS, CONSULT A GOODYEAR REPRESENTATIVE FOR APPLICATION ASSISTANCE.

CONSTANT PRESSURE CHARACTERISTICS

Assembly Height (in)	Meniscus Height "M" Dim. @ 100 PSIG (in)	Volume @ 100 PSIG (in ³)	Nominal Force (lb)				
			@ 20 PSIG	@ 40 PSIG	@ 60 PSIG	@ 80 PSIG	@ 100 PSIG
13.0	1.9	699	60	460	1100	1800	2300
11.0	1.9	696	850	1700	2700	3600	4600
10.0	1.9	635	1100	2200	3200	4300	5500
9.0	1.6	570	1150	2400	3600	4900	5800
8.0	1.4	501	1200	2600	3900	5300	6600
7.0	0.6	433	1200	2500	3800	5200	6500
6.0	0.1	369	1400	2700	4000	5400	6700
5.0	0.1	304	1700	3100	4600	6100	7600
4.0	0.0	250	1800	3400	5000	6600	8200
3.7	0.0	225	2100	3600	5100	6700	8300

DYNAMIC CHARACTERISTICS

Design Height (in)	Load (lb)	Pressure (PSIG)	Spring Rate (lb/in)	Natural Frequency	
				cpm	Hz
10.0	2000	37	630	105	1.75
	3000	56	910	103	1.72
	5000	93	1425	100	1.67
8.0	2000	31	500	94	1.57
	3000	46	690	91	1.52
	5000	75	1120	90	1.50
6.0	6000	89	1320	89	1.48
	2000	29	1000	133	2.22
	3000	45	1315	124	2.07
	5000	74	1855	115	1.92
	6000	89	2180	113	1.88