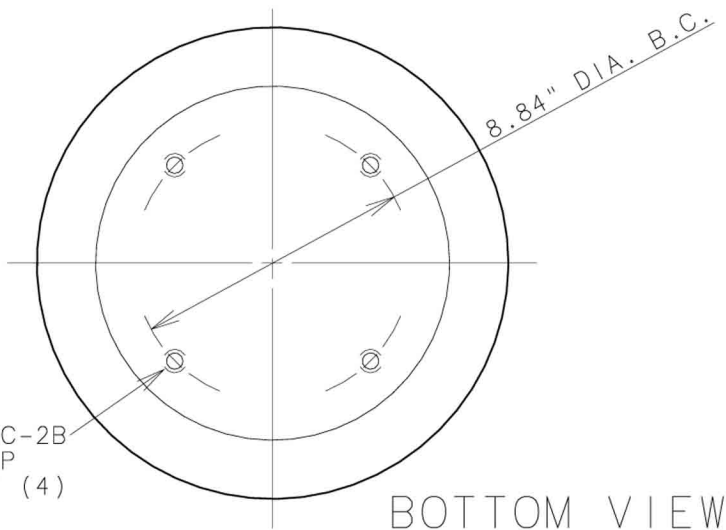
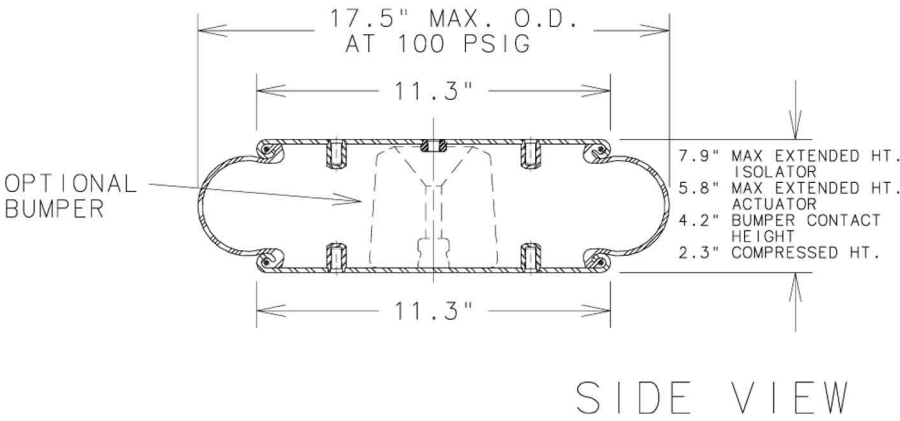
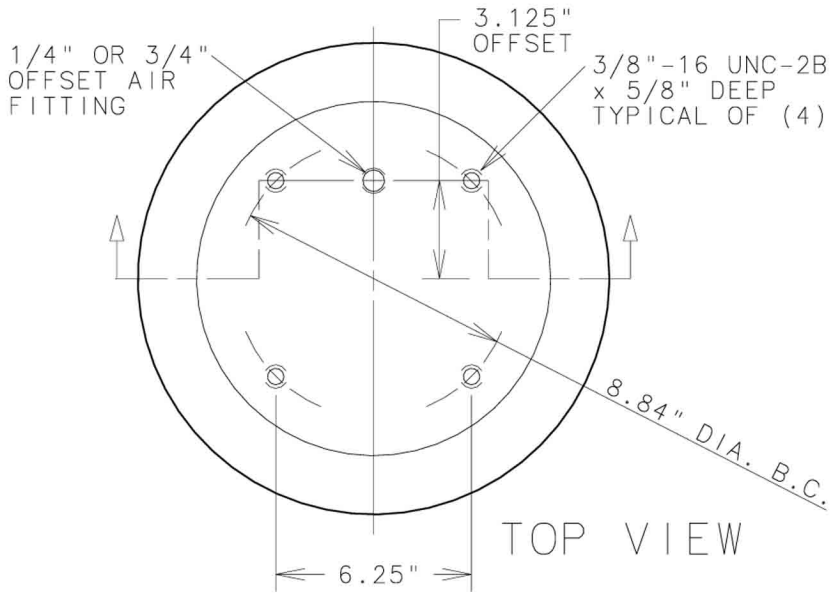


1B15-375



ASSEMBLY NUMBER	ELASTOMER	AIR FITTING	BUMPER INCLUDED
1B15-375	NAT. RUBBER	1/4"-18 NPTF OFFSET 3.125"	NO
1B15-376	NAT. RUBBER	1/4"-18 NPTF OFFSET 3.125"	YES
1B15-377	NAT. RUBBER	3/4"-14 NPTF OFFSET 3.125"	NO
1B15-378	NAT. RUBBER	3/4"-14 NPTF OFFSET 3.125"	YES
578913375 FLEXMEMBER ONLY	NAT. RUBBER	----	---

SPRING FEATURES:

- LOAD RANGE (ISOLATOR).....2200-13700 lb
- DESIGN HEIGHT RANGE (ISOLATOR).....4.4-5.4 in
- USEABLE STROKE w/o BUMPER (ACTUATOR)....3.5 in
- USEABLE STROKE WITH BUMPER (ACTUATOR)...1.6 in
- ASSEMBLY WEIGHT.....16.1 lb
- TEMPERATURE RANGE*.....
- FORCE TO COMPRESS AT 0 PSIG (APPROX.)....10 lb
- NOMINAL FREE STANDING HT. AT 0 PSIG.....2.9 in

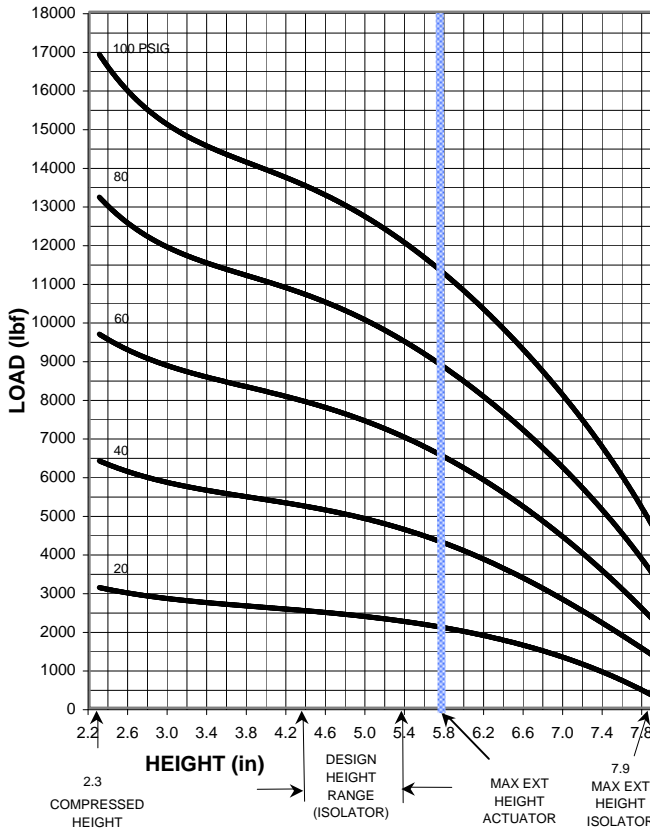
* NOTE: PRODUCT LIFE MAY BE SHORTENED WHEN OPERATING AT OR NEAR EXTREME TEMPERATURES. SEE TEMPERATURE RANGE GUIDELINES SECTION.

RECOMMENDED MAX. TORQUE VALUES

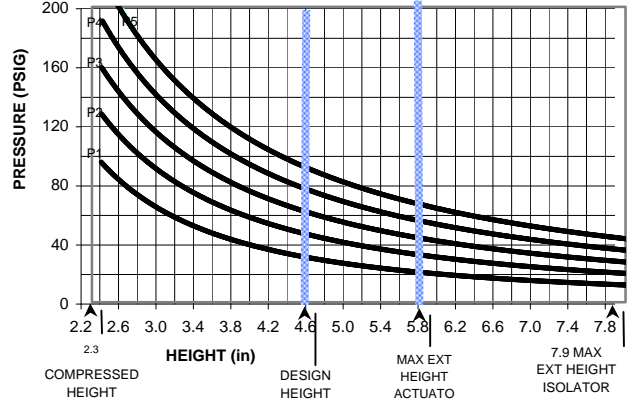
3/8"-16 UNC BLIND TAP TYP. OF (8)	1/4"-18 UNC AIR FITTING	3/4"-14 UNC AIR FITTING
300 in-lb 25 ft-lb	240 in-lb 20 ft-lb	240 in-lb 20 ft-lb

NOTE: SEE GUIDELINES FOR PROPER APPLICATION OF THIS PRODUCT

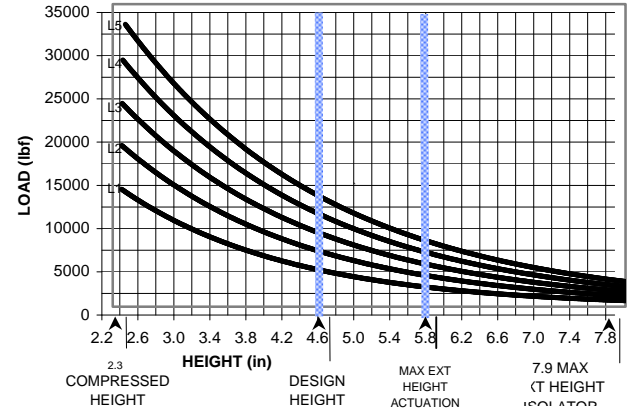
LOAD vs. DEFLECTION @ CONSTANT PRESSURE



DYNAMIC DATA @ 4.6 in DESIGN HEIGHT



DYNAMIC DATA @ 4.6 in DESIGN HEIGHT



****NOTE: MAXIMUM INFLATION PRESSURE IS 100 PSIG. MAXIMUM JOUCE PRESSURE IS 200 PSIG. IF YOUR APPLICATION WILL EXCEED THESE LIMITS, CONSULT A GOODYEAR REPRESENTATIVE FOR APPLICATION ASSISTANCE.**

CONSTANT PRESSURE CHARACTERISTICS

Assembly Height (in)	Volume @ 100 PSIG (in ³)	Force (lb)				
		@ 20 PSIG	@ 40 PSIG	@ 60 PSIG	@ 80 PSIG	@ 100 PSIG
7.9	1130	380	1450	2400	3700	4900
7.0	1035	1250	2700	4300	6000	7900
6.5	970	1700	3500	5400	7500	9600
6.0	904	2000	4100	6300	8500	10900
5.8	879	2000	4200	6500	8900	11300
5.4	822	2200	4600	7100	9600	12000
4.6	712	2500	5200	7900	10700	13400
4.4	679	2600	5300	8100	10900	13700
3.5	545	2800	5700	8700	11700	14700
3.0	469	2900	5900	9000	12100	15100
2.3	363	3100	6500	9600	13400	16700

DYNAMIC CHARACTERISTICS

Design Height (in)	Load (lb)	Pressure (PSIG)	Spring Rate (lb/in)	Natural Frequency	
				cpm	Hz
5.4	4000	33	1770	125	2.08
	6000	50	2470	121	2.02
	8000	66	3160	118	1.97
	10000	82	3885	117	1.95
4.6	4000	30	1930	130	2.17
	6000	45	2655	125	2.08
	8000	60	2340	122	2.03
	10000	74	4025	119	1.98
4.4	4000	30	2035	134	2.23
	6000	44	2710	126	2.10
	8000	59	3445	123	2.05
	10000	76	4170	121	2.02
4.4	12000	87	4890	120	2.00