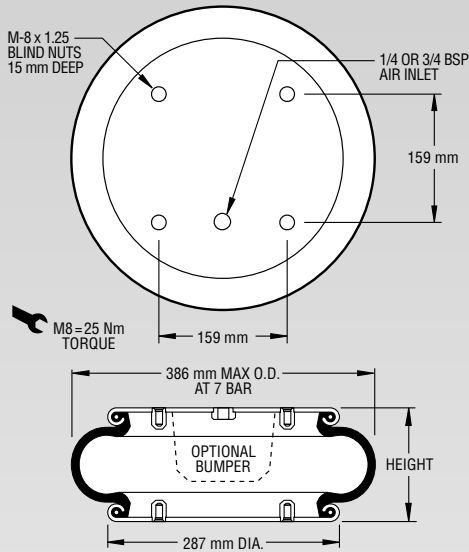


NOTE: All Assembly Order Numbers are for bead plate parts unless noted otherwise.

	Description	Assembly Order No.
Style 113	Blind nuts, 1/4 BSP	W01-M58-6101
	Blind nuts, 1/4 BSP, bumper	W01-M58-6103
Two Ply Bellows	Blind nuts, 3/4 BSP	W01-M58-6100
	Blind nuts, 3/4 BSP, bumper	W01-M58-6102
	Button head steel bead rings, 40 mm bolts, nuts washers	W01-M58-7538
	Rubber bellows only	W01-358-0135
Assembly weight.....		6.58 kg.
Force to collapse to minimum height (@ 0 BAR)		76 N.

	Description	Assembly Order No.
Style 128	Blind nuts, 1/4 BSP	W01-M58-6071
	Blind nuts, 1/4 BSP, rubber bumper	W01-M58-6068
High Strength Construction	Blind nuts, 3/4 BSP	W01-M58-6070
	Blind nuts, 3/4 BSP, rubber bumper	W01-M58-6069
	Rubber bellows only	W01-358-0231

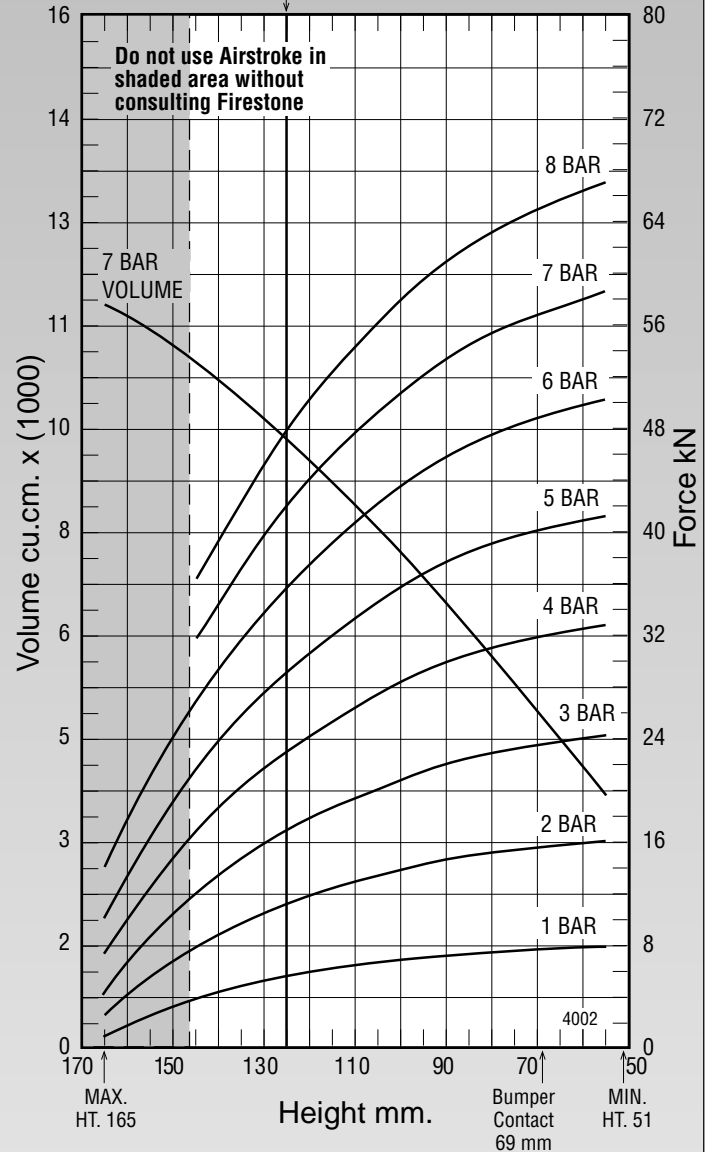


NOTE: A bead plate part is shown. This part is also available with bead rings. See pages 8-10 for explanation.

Gauge Pressure (BAR)	Load (kN)	Spring Rate (kN/m)	Natural Frequency Hz
3	16.72	416	2.49
4	22.90	534	2.41
5	28.97	651	2.36
6	35.62	774	2.32
7	41.65	890	2.31

RECOMMENDED
AIRMOUNT
DESIGN HEIGHT
125 mm.

Static Data
4002



See page 12 for instructions on how to use chart.

Assembly Height (mm)	Volume @ 7 BAR (cu cm)	EFF Area @ 7 BAR (cm sq.)	kN Force				
			@ 3 BAR	@ 4 BAR	@ 5 BAR	@ 6 BAR	@ 7 BAR
140	10316	486	13.02	18.16	23.20	28.93	34.00
130	9720	562	15.62	21.49	27.24	33.59	39.30
120	9110	624	17.66	24.10	30.44	37.37	43.68
110	8411	679	19.40	26.36	33.22	40.69	47.53
100	7714	724	20.81	28.23	35.53	43.42	50.66
90	6929	762	22.00	29.85	37.54	45.76	53.31
80	6159	790	22.89	31.08	39.05	47.53	55.33
70	5306	813	23.54	31.96	40.13	48.87	56.93